

HALOGEN SEARCH LIGHTS / PSHR

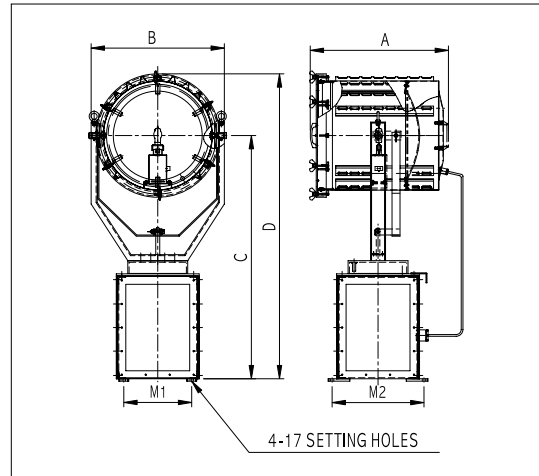


Model no. and Dimensions

Model no.	Capacity	Luminous intensity	Range [m, 1 lux at target]	A	B	C	D	M1	M2	Weight (kg)	Remark
				(mm)							
PSHR-1K	1,000W	1.0X 10 ⁶ cd	1,250	417	∅310	811	991	250	370	50	
PSHR-2K	2,000W	2.7X 10 ⁶ cd	1,500	692	∅630	1,230	1,545	340	460	155	
PSHR-3K	3,000W	3.0X 10 ⁶ cd	1,730								



Technical Drawing



Application

Bridge wing
Chemical processing and industrial

Design

According to rules of maritime classification societies, additional IEC

Features

Protection degree : IP56
Remote control type
Luminous efficiency : 26lm~30lm/w
High luminance
Color rendering coefficient : Ra>90
Color temperature : 2,880K~3,200K
Light color can be maintained until life time
As soon as light up, whole luminous flux amount occurrence
Small size and light weights
Separate control panel with ON/OFF switch and joystick switch

Materials

Body : Stainless steel sheet
Arm : Steel zinc coated
Reflector : Glass parabolic mirror
Front glass : Tempered glass

Finish

Powder coated white N-9.3
and enamelled up to 70~80 μ m thickness

Specification

Light sources : Halogen lamp
1,000W, 2,000W, 3,000W
Lamp base : GX9.5, GY16, G38
Horizontal rotation 350°, 11°/sec
Vertical movement upward 20° / downward 40°, 3°/sec
Cable entry : Three(3) cable glands M24x1.5
(Max.diameter 17mm cable)
Mounting : 4 mounting holes, dia. 17mm
Voltage and frequency : AC220V 60Hz are standard
Others on request

HALOGEN SEARCH LIGHTS / PSHF / PSHC / PZHF

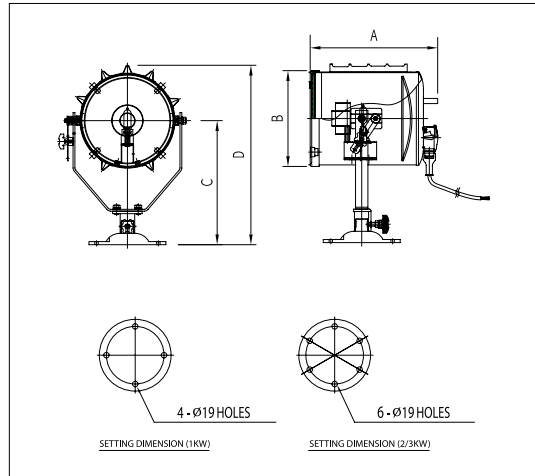


Model no. and Dimensions

Model no.	Capacity	Luminous intensity	Range [m, 1 lux at target]	A	B	C	D	Weight (kg)	Remark
				(mm)					
Fixed type									
PSHF-1K	1,000W	1.0×10^6 cd	1,250	417	$\phi 310$	400	555	16.5	
PSHF-2K	2,000W	2.7×10^6 cd	1,500	692	$\phi 630$	682	997	60	
PSHF-3K	3,000W	3.0×10^6 cd	1,730						
Cabin Control type									
PSHC-1K	1,000W	1.0×10^6 cd	1,250	417	$\phi 310$	400	555	20	
PSHC-2K	2,000W	2.7×10^6 cd	1,500	692	$\phi 630$	742	1,057	65	
PSHC-3K	3,000W	3.0×10^6 cd	1,730						
Signalling type									
PZHF-1K	1,000W	1.0×10^6 cd	1,250	578	$\phi 369$	458	664	34	



Technical Drawing



Application

Bridge wing
Chemical processing and industrial

Design

According to rules of maritime classification societies, additional IEC

Features

Protection degree : IP56
Fixed type
Luminous efficiency : 26lm~30lm/w
High luminance
Color rendering coefficient : $R_a > 90$
Color temperature : 2,880K~3,200K
Light color can be maintained until life time
As soon as light up, whole luminous flux amount occurrence
Small size and light weights

Materials

Body : Stainless steel sheet
Arm : Steel zinc coated
Reflector : Glass parabolic mirror
Front glass : Tempered glass

Finish

Powder coated white N-9.3
and enamelled up to 70~80 μ m thickness

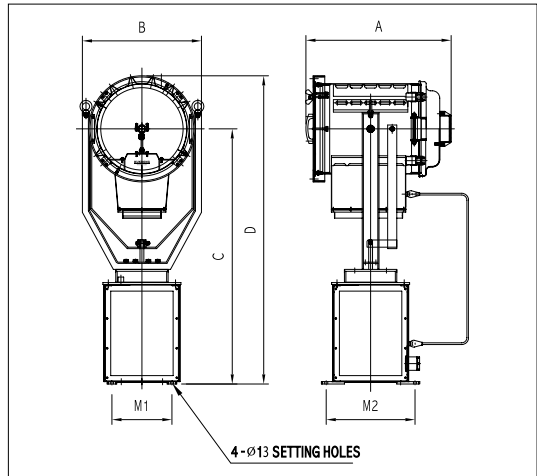
Specification

Light sources : Halogen lamp
1,000W, 2,000W, 3,000W
Lamp base : GX9.5, GY16, G38
Horizontal rotation 350°
Vertical movement upward 45° / downward 45°
Exterior connection box
Cable entry : One(1) cable gland M24x1.5
(Max.diameter 17mm cable)
Mounting : 4~6 mounting holes, dia. 19mm
Voltage and frequency : AC220V 60Hz are standard
Others on request

XENON SEARCH LIGHTS / PSXR



Technical Drawing



Model no. and dimensions

Model no.	Capacity	Luminous intensity	Range [m, 1ux at target]	A B C D M1 M2						Weight (kg)	Remark
				(mm)							
PSXR-1K	1,000W	50x10 ⁶ cd	6,300	605	496	1,063	1,284	250	370	105	
PSXR-1.6K	1,600W	88x10 ⁶ cd	7,500								
PSXR-2K	2,000W	110x10 ⁶ cd	8,000								
PSXR-2.5K	2,500W	130x10 ⁶ cd	8,800	750	656	1,348	1,638	340	460	140	
PSXR-3K	3,000W	150x10 ⁶ cd	9,900								
PSXR-4.5K	4,500W	190x10 ⁶ cd	11,200	810	730	1,410	1,720	340	460	160	
PSXR-7K	7,000W	291x10 ⁶ cd	14,500	860	780	1,510	1,820	390	510	175	

Application

Bridge wing
Chemical processing and industrial

Design

According to rules of maritime classification societies, additional IEC

Features

Protection degree : IP56 / Remote control type
Luminous efficiency : 28lm/w / High luminance
Color rendering coefficient : Ra>90
Color temperature : 6,000K
Light color can be maintained until life time
Stable are
As soon as light up, whole luminous flux amount occurrence
Small size and light weights
Separate control panel with ON/OFF switch and control switch

Materials

Body : Stainless steel sheet / Arm : Steel zinc coated
Reflector : Glass parabolic mirror
Front glass : Tempered glass

Finish

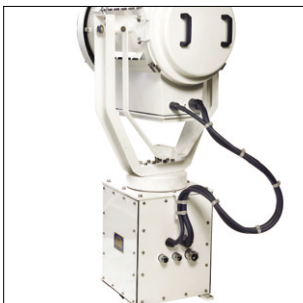
Powder coated white N-9.3
and enamelled up to 70~80 μ m thickness

Specification

Light sources : Xenon lamp / 1,000W~7,000W
Lamp base : Maker supply / Lamp capacity : DC24V
Horizontal rotation 350°, 11°/sec
Vertical movement upward 20° / downward 40°, 3°/sec
Cable entry : Three(3) cable glands M24x1.5
(Max.diameter 17mm cable)
Mounting : 4 mounting holes, dia. 13mm~17mm
Voltage and frequency : AC220V 60Hz are standard
Others on request

Optional

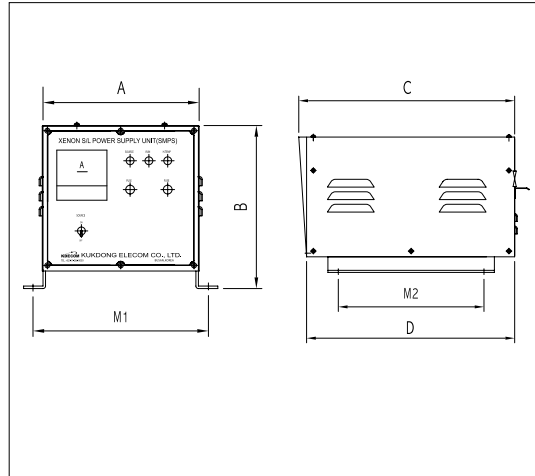
Fixed type
CCTV camera is installed the upper part type
ICE Class type



POWER SUPPLY UNIT / PU



Technical Drawing



Model no. and Dimensions

Model no.	Capacity	A	B	C	D	M1	M2	Weight (kg)	Remark
PU-X1K	1,000W	255	285	420	405	260	280	12	
PU-X1.6K	1,600W							13	
PU-X2K	2,000W	270	300	420	405	260	280	14	
PU-X2.5K	2,500W							22.5	
PU-X3K	2,500W							22.5	
PU-X4.5K	4,500W	400	390	515	500	390	360	36.5	
PU-X7K	7,000W							38.5	

Summary

As SMPS(Switching Mode Power Supply) method, power supply unit of xenon searchlight, it is device to supply requested source in xenon lamp from 150W to 7,000W which converts as almost 100% of DC(direct source) by switching 70KHZ of high-frequency being supplied AC(alternative source)from outside and improves all matters of SCR method.

Application

Wheel house

Features

- Protection degree : IP22
- Optium spaceusage as compact and light
- Stable output- voltage for input-voltage
- Supply almost 100% of DC source
- Remove a electric noise as electrical method
- Easy maintenance as module method
- Various usage voltage
- Efficiency is more then 90%
- Make a longer lamp life time

Materials

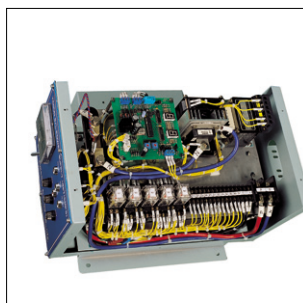
- Body : Steel sheet
- Front plate : Aluminium (Purple blue screen printer)

Finish

- Powder coated blue green 7.5BG 7/2
- and enamelled up to 70~80 μ m thickness

Specification

- Cable entry : Coming holes
- Mounting : 4 mounting holes, dia. 7mm
- Voltage and frequency : AC220V 60Hz are standard
- Others on request

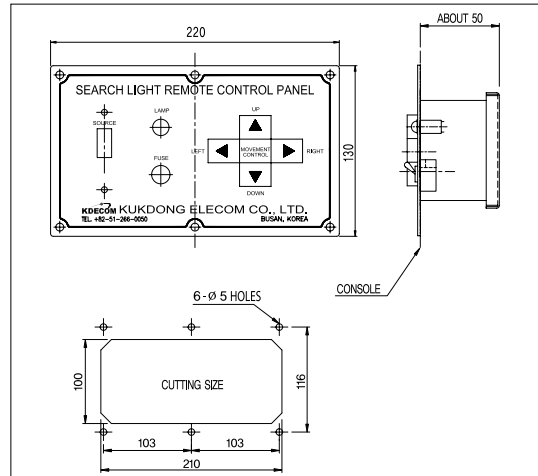


KUKDONG ELECOM CO.,LTD.....3-4

REMOTE CONTROL PANEL / RC



Technical Drawing



Model no. and Dimensions

Model no.	Lamp type	L	D	H	Weight	Remark
PSHR-RC	Halogen	220	130	50	0.8	
PSXR-RC	Xenon			113	1.2	

Summary

As remote control panel which can operate xenon searchlight, there are flush type and surface type as standard.

It consists of "ON-OFF" switch for source and lamp, transmission angle control switch of elevation and azimuth, focus adjustable switch, lamp "ON-OFF" indicating lamp and over-temperature indicating lamp.

Switch for focus control, up-down and left-right control can be operated until pull out, in case of continuous switch operating, it can be stopped as operation of limit switch for xenon searchlight.

Application

Wheel house

Features

- Defined design
- Small size and light weights
- Easy to operation
- Easy to maintenance

Materials

- Body : Steel sheet
- Front plate : Aluminium (Purple blue screen printer)

Finish

Powder coated blue green 7.5BG 7/2 and enamelled up to 70~80 μ m thickness

Specification

- Cable entry : Coming holes
- Mounting : 6 mounting holes, dia. 5mm

Optional

Surface Type

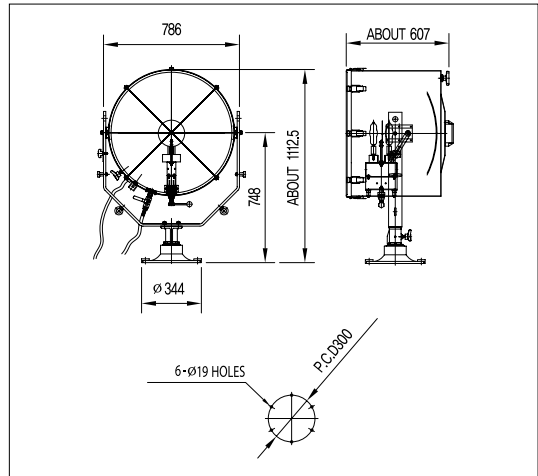
PSHR-RC



SUEZ CANAL SEARCH LIGHTS / PCH-2K



Technical Drawing



Model no. and Dimensions

Model no.	Capacity	Luminous intensity	Range[m,1u x at target]	Weight (kg)	Remark
PCH-2K	2,000W	4.7X 10 ⁶ cd	2,180	62.5	
PCH-3K	3,000W	5.0X 10 ⁶ cd	2,230	62.5	

Application

All seagoing vessels transiting sues canal

Features

Protection degree : IP56

Have a controllable split glass reflector

Giving either a single light beam or two separate light beams each of 5degrees in the horizontal level with a dark middle sector between 0 and 10 degrees

Fitted with a pressure relief valve and exhaust cock, for connection to a 5 metre length of flexible hose

Have two lamps installed, one as a spare with external switchover arrangement in case of a burn-out ex-proof plug and receptacle with are available for instsllation in hazardous areas.

Materials

Body : Stainless steel sheet

Arm : Aluminium

Reflector : Split silver- plated parabolic mirror

Front glass : Tempered glass

Finish

Powder coated white N-9.3

and enamelled up to 70~80µm thickness

Specification

Light sources : Halogen lamp / 2,000W, 3,000W

Lamp base : G38 / Horizontal rotation 350°

Vertical movement upward 40° / downward 35°

Cable entry : One(1) cable glands M24x1.5 (Max.diameter 17mm cable)

Mounting : 6 mounting holes, dia. 19mm

Voltage and frequency : AC220V 60Hz are standard

Others on request

Optional

With 3M cable(TPNP 1.5)

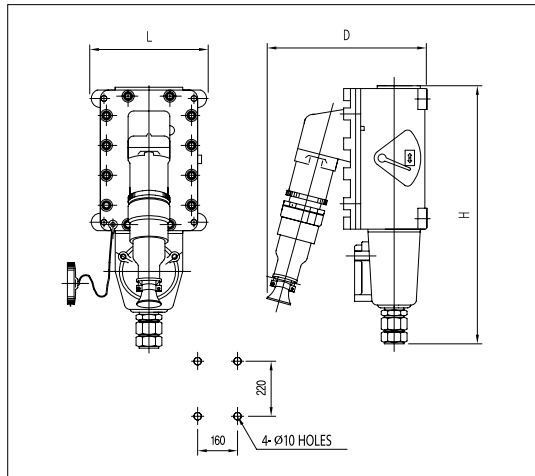


KUKDONG ELECOM CO.,LTD.....3-6

RECEPTACLE W/SWICH & PLUG / RTSC-30P



Technical Drawing



Model no. and Dimensions

Model no.	Capacity	L	D	H	Weight (kg)	Remark
		(mm)				
RTSC-30P	AC250V 30A	205	235	533	10.5	

Application

Ship's passage for suez canal
Ex "d" Flameproof enclosure

Design

According to rules of the standard IEC79-0,79-1,529

Features

Protection degree : Ex-d IIB T6, IP56
Combined with switch and receptacle
Receptacle 3P+1E
With interlock device

Materials

Body : Cast aluminium alloy(AC7A)
Cover : Cast aluminium alloy(AC7A)

Finish

Powder coated blue green 7.5BG 7/2
and enamelled up to 70~80µm thickness

Specification

Cable entry : One(1) cable gland NPT 3/4
(Max. out diameter 18mm cable)
Mounting : 4 mounting holes, dia.10mm
Voltage and capacity : AC250V 30A are standard

Optional

Housing : Cast Brass (Natural)
Cover : Cast brass (Natural)

