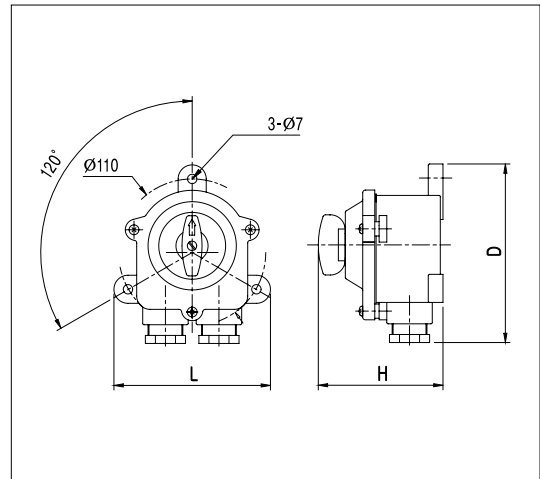




**Technical Drawing**



**Model no. and Dimensions**

Model no.	Capacity	L	D	H	Weight (kg)	Remark
		(mm)				
SR-S1W21P-J	16A, DPST	126	116	96	0.38	Polycarbonate
SR-S1W22P-J	16A, DPDT	126	116	96	0.38	Polycarbonate
SR-S1W21B-J	16A, DPST	126	116	96	1.23	Cast Brass
SR-S1W22B-J	16A, DPDT	126	116	96	1.49	Cast Brass

**Application**

Machinery area, out door  
 Outdoors use (Wet and moisture area)  
 Chemical processing and industrial area.

**Design**

According to rules of maritime classification societies, additional JIS(Japanese Industrial Standards)

**Features**

Protection degree : IP56  
 DPST (Double Pole, Single Through)  
 DPDT (Double Pole, Double Through)

**Materials**

Housing : PBT(PolyButylene Terephthalate)  
 Cover : PBT(PolyButylene Terephthalate)

**Finish**

Body : Blue green (Munsell No.7.5BG7/2)  
 Cover : Blue green (Munsell No.7.5BG7/2)

**Specification**

Cable entry : Two(2) cable glands M24x1.5  
 (Max.diameter 17mm cable)  
 Mounting : Three(3) mounting holes, dia.7mm  
 Voltage and frequency : AC250V 16A are standard

**Optional**

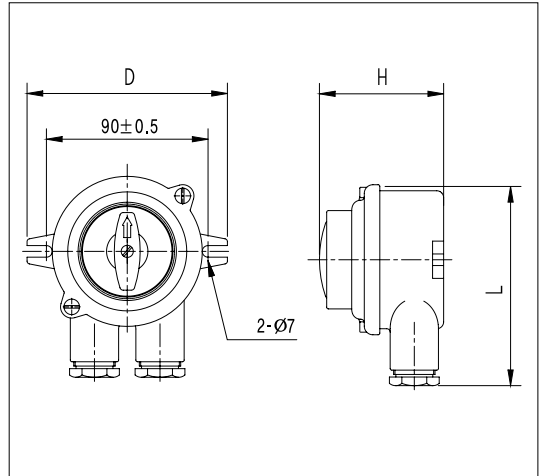
Housing : Cast Brass (Natural)  
 Cover : Cast brass (Natural)



# SWITCHES / DIN TYPE / SR-SIW-D



## Technical Drawing



### Model no. and Dimensions

Model no.	Capacity	L	D (mm)	H	Weight (kg)	Remark
SR-S1W22B-D	16A, DPDT	116	112	92	1.1	Cast Brass

### Application

Machinery area, out door  
Outdoors use (Wet and moisture area)  
Chemical processing and industrial area.

### Design

According to rules of maritime classification societies, additional IEC

### Features

Protection degree : IP56  
DPST (Double Pole, Single Through)  
DPDT (Double Pole, Double Through)

### Materials

Housing : Cast Brass  
Cover : Polycarbonate

### Finish

Body : Natural  
Cover : Black

### Specification

Cable entry : Two(2) cable glands M24x1.5  
(Max.diameter 17mm cable)  
Mounting : Two(2) mounting holes, dia.7mm  
Voltage and frequency : AC250V 16A are standard

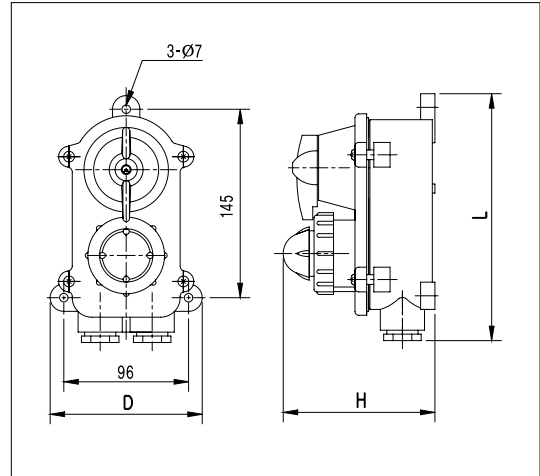
### Optional

Red handle





**Technical Drawing**



**Model no. and Dimensions**

Model no.	Capacity	L	D	H	Weight (kg)	Remark
		(mm)				
SRL-S1W21P-J	16A,DPST	190	117	126	0.38	PBT
SRL-S1W21B-J	16A,DPST	190	117	126	2.07	Cast Brass

**Application**

Machinery area, out door  
 Outdoors use (Wet and moisture area)  
 Chemical processing and industrial area.

**Design**

According to rules of maritime classification societies, additional JIS(Japanese Industrial Standards)

**Features**

Protection degree : IP56  
 DPST (Double Pole, Single Through)

**Materials**

Housing : PBT(PolyButylene Terephthalate)  
 Cover : PBT(PolyButylene Terephthalate)

**Finish**

Body : Blue green (Munsell No.7.5BG7/2)  
 Cover : Blue green (Munsell No.7.5BG7/2)

**Specification**

Cable entry : Two(2) cable glands M24x1.5  
 (Max.diameter 17mm cable)  
 Mounting : Three(3) mounting holes, dia.7mm  
 Voltage and frequency : AC250V 16A are standard

**Optional**

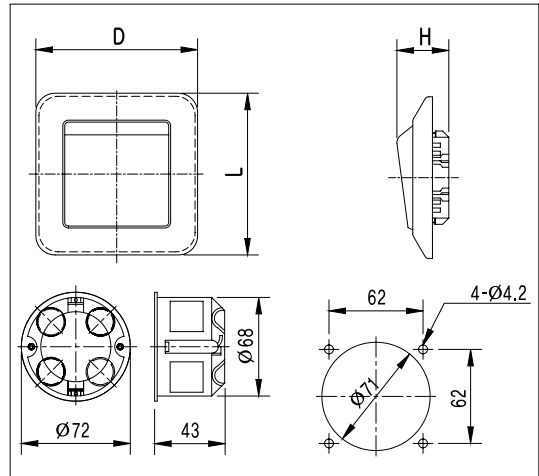
Housing : Cast Brass (Natural)  
 Cover : Cast brass (Natural)



# SWITCHES / ST-FIN-P



## Technical Drawing



## Model no. and Dimensions

Model no.	Capacity	L	D	H	Weight (kg)	Remark
		(mm)				
ST-F1N21P	16A, DPST	84	84	28.5	0.1	
ST-F1N22P	16A, DPDT	84	84	28.5	0.1	

## Application

Accommodation area

## Design

According to rules of maritime classification societies, additional IEC

## Features

Protection degree : IP20  
Screw terminals  
Halogen free  
Fit into multi box

## Materials

Body : ABS (Acrylonitrile Butadiene Styrene)  
Cover : ABS (Acrylonitrile Butadiene Styrene)  
Multi box : ABS (Acrylonitrile Butadiene Styrene)

## Finish

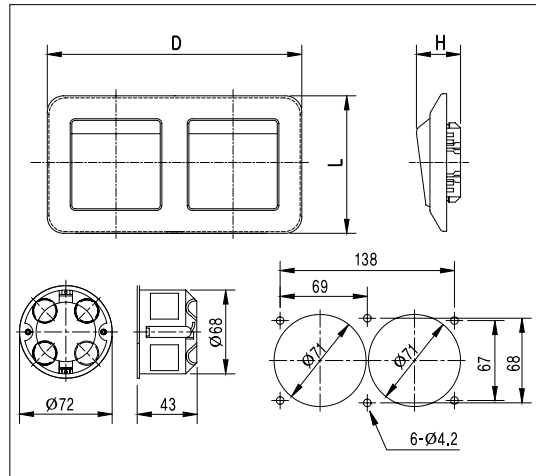
Polar white

## Specification

Voltage and frequency : AC250V 16A are standard



## Technical Drawing



## Model no. and Dimensions

Model no.	Capacity	L	D	H	Weight (kg)	Remark
ST-F2N21P	16A, DPST	84	155	28.5	0.14	
ST-F2N22P	16A, DPDT	84	155	28.5	0.14	

## Application

Accommodation area

## Design

According to rules of maritime classification societies, additional IEC

## Features

Protection degree : IP20  
Screw terminals  
Halogen free  
Fit into multi box

## Materials

Body : ABS (Acrylonitrile Butadiene Styrene)  
Cover : ABS (Acrylonitrile Butadiene Styrene)  
Multi box : ABS (Acrylonitrile Butadiene Styrene)

## Finish

Polar white

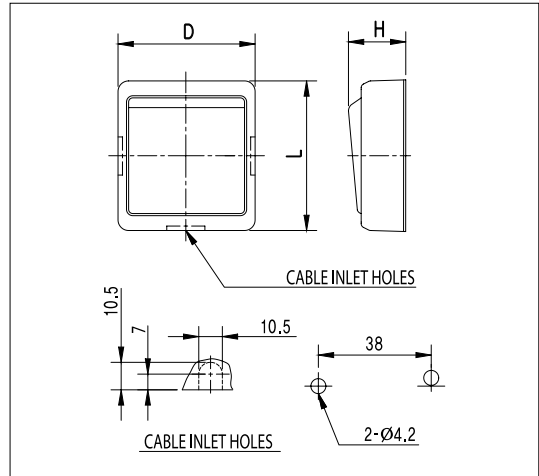
## Specification

Voltage and frequency : AC250V 16A are standard

# SWITCHES / ST-S1N-P



## Technical Drawing



### Model no. and Dimensions

Model no.	Capacity	L	D	H	Weight (kg)	Remark
		(mm)				
ST-S1N21P	16A, DPST	84	71	28.5	0.1	
ST-S1N22P	16A, DPDT	84	71	28.5	0.1	

### Application

Accommodation area

### Design

According to rules of maritime classification societies, additional IEC

### Features

Protection degree : IP20  
Screw terminals  
Halogen free

### Materials

Body : ABS (Acrylonitrile Butadiene Styrene)  
Cover : ABS (Acrylonitrile Butadiene Styrene)

### Finish

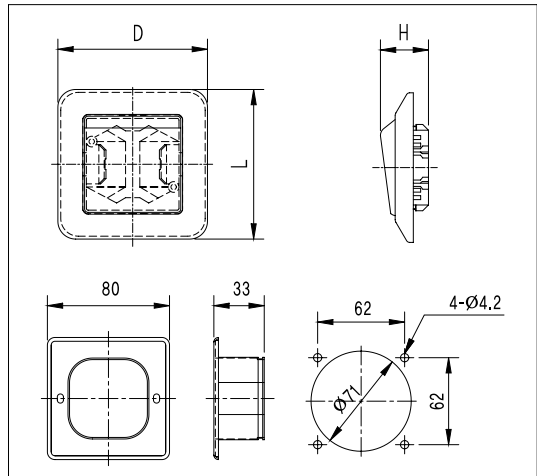
Polar white

### Specification

Voltage and frequency : AC250V 16A are standard



## Technical Drawing



## Model no. and Dimensions

Model no.	Capacity	L	D	H	Weight (kg)	Remark
		(mm)				
ST-F1S21P	16A, DPST	84	84	28.5	0.1	
ST-F1S22P	16A, DPDT	84	84	28.5	0.1	

## Application

Accommodation area

## Design

According to rules of maritime classification societies, additional IEC

## Features

Protection degree : IP44  
Screw terminals  
halogen free  
Fit into IP44 box

## Materials

Body : ABS (Acrylonitrile Butadiene Styrene)  
Cover : ABS (Acrylonitrile Butadiene Styrene)  
Multi Box : ABS (Acrylonitrile Butadiene Styrene)

## Finish

Polar white

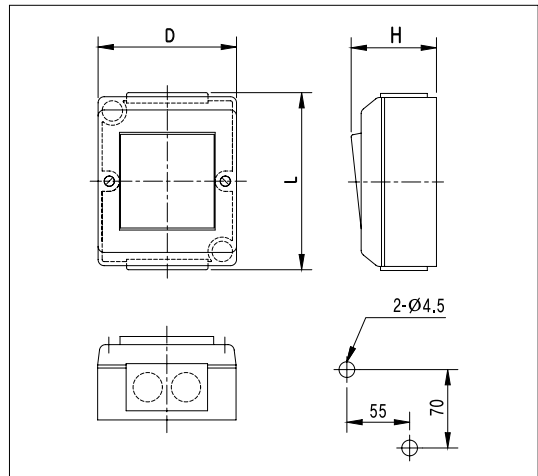
## Specification

Voltage and frequency : AC250V 16A are standard

# SWITCHES / ST-S1S-P



## Technical Drawing



### Model no. and Dimensions

Model no.	Capacity	L	D (mm)	H	Weight (kg)	Remark
ST-S1S21P	16A, DPST	87	68	37	0.145	
ST-S1S22P	16A, DPDT	87	68	37	0.145	

### Application

Accommodation area, Galley

### Design

According to rules of maritime classification societies, additional IEC

### Features

Protection degree : IP55  
Screw terminals  
Halogen free

### Materials

Body : ABS (Acrylonitrile Butadiene Styrene)  
Cover : ABS (Acrylonitrile Butadiene Styrene)

### Finish

Polar white

### Specification

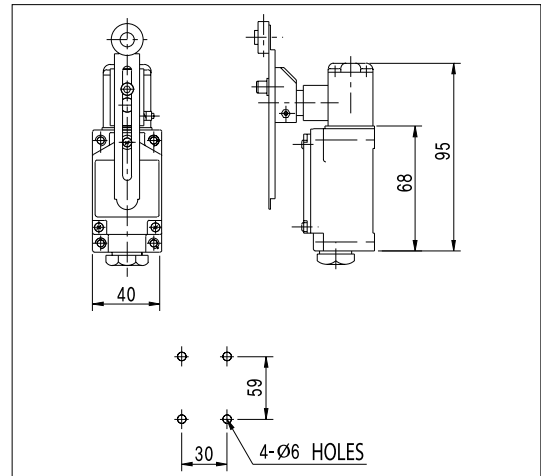
Voltage and frequency : AC250V 16A are standard



# SWITCHES / ZXL - 703



## Technical Drawing



### Model no. and Dimensions

Model no.	Capacity	L	D	H	Weight (kg)	Remark
		(mm)				
ZXL-703	AC250V/10A	95	40	67	0.4	IP56
ZCN-P5010	AC250V/10A	109	40	73	0.5	IP20

### Application

Accommodation area  
Chemical processing and industrial area

### Design

According to rules of maritime classification societies,

### Features

Protection degree : IP56

### Materials

Body : Cast aluminium  
Head : Zinc alloy  
Arm : Stainless steel

### Finish

Body : Light gray epoxy powder coat  
and stove enamelled

### Specification

Voltage and frequency : AC250V 10A are standard

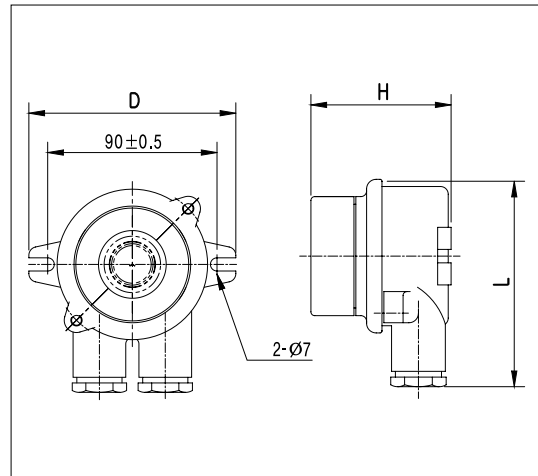
### Optional

Protection degree : IP20

# SWITCHES / PBE-S



## Technical Drawing



### Model no. and Dimensions

Model no.	Capacity	L	D	H	Weight (kg)	Remark
		(mm)				
PBE-S	AC250V, 5A	108	110	73	1.28kg	1a1b

### Application

Machinery area  
Outdoors use (Wet and moisture area)  
Chemical processing and industrial areas

### Design

According to rules of maritime classification societies

### Features

Protection degree : IP56

### Materials

Body : Cast Brass  
Cover : Cast Brass

### Finish

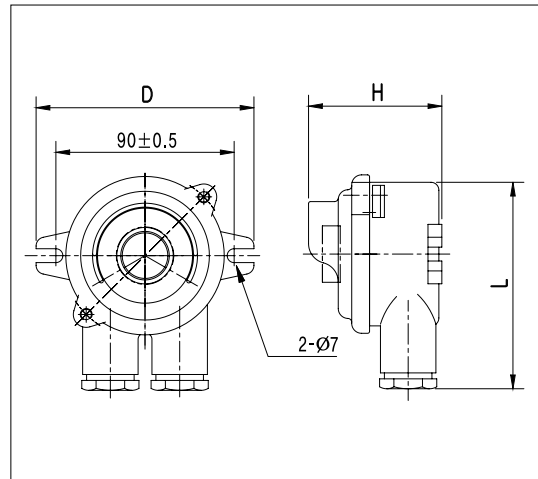
Powder coated red  
and enamelled up to 70~80 $\mu$ m thickness

### Specification

Cable entry : Two(2) cable glands M24x1.5  
(Max.diameter 17mm cable)  
Mounting : Three(3) mounting holes, dia.7mm  
Voltage and frequency : AC250V 5A are standard



**Technical Drawing**



**Model no. and Dimensions**

Model no.	Capacity	L	D	H	Weight (kg)	Remark
		(mm)				
PB-S	AC250V, 5A	108	110	73	1.2	1a1b

**Application**

Machinery area  
 Outdoors use (Wet and moisture area)  
 Chemical processing and industrial areas

**Design**

According to rules of maritime classification societies

**Features**

Protection degree : IP56

**Materials**

Body : Cast brass  
 Cover : Cast brass

**Finish**

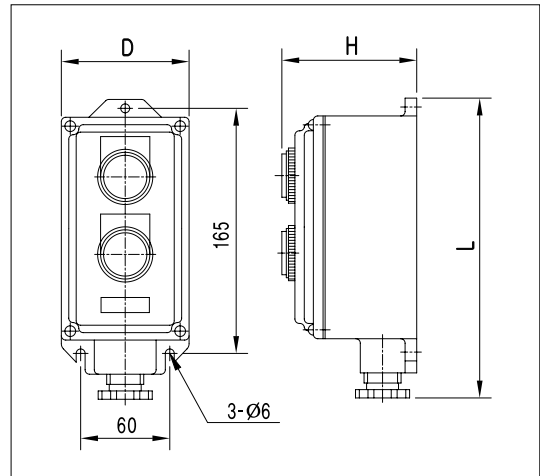
Body : Natural  
 Cover : Natural

**Specification**

Cable entry : Two(2) cable glands M24x1.5  
 (Max.diameter 17mm cable)  
 Mounting : Three(3) mounting holes, dia.7mm  
 Voltage and frequency : AC250V 5A are standard



## Technical Drawing



### Model no. and Dimensions

Model no.	Capacity	L	D		H	Weight (kg)	Remark
			(mm)				
PBR-SA2	AC250V, 5A	185	86	82	0.84kg	2P	
PBR-SA3	AC250V, 5A	235	86	82	1.06kg	3P	

### Application

Machinery area  
Outdoors use (Wet and moisture area)  
Chemical processing and industrial area.

### Design

According to rules of maritime classification societies

### Features

Protection degree : IP56

### Materials

Body : Cast Aluminium  
Cover : Cast Aluminium

### Finish

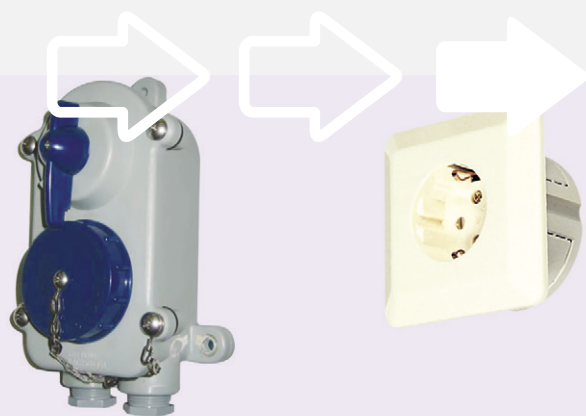
Powder coated blue green(7.5BG 7/2)  
enamelled up to 70~80 $\mu$ m thickness

### Specification

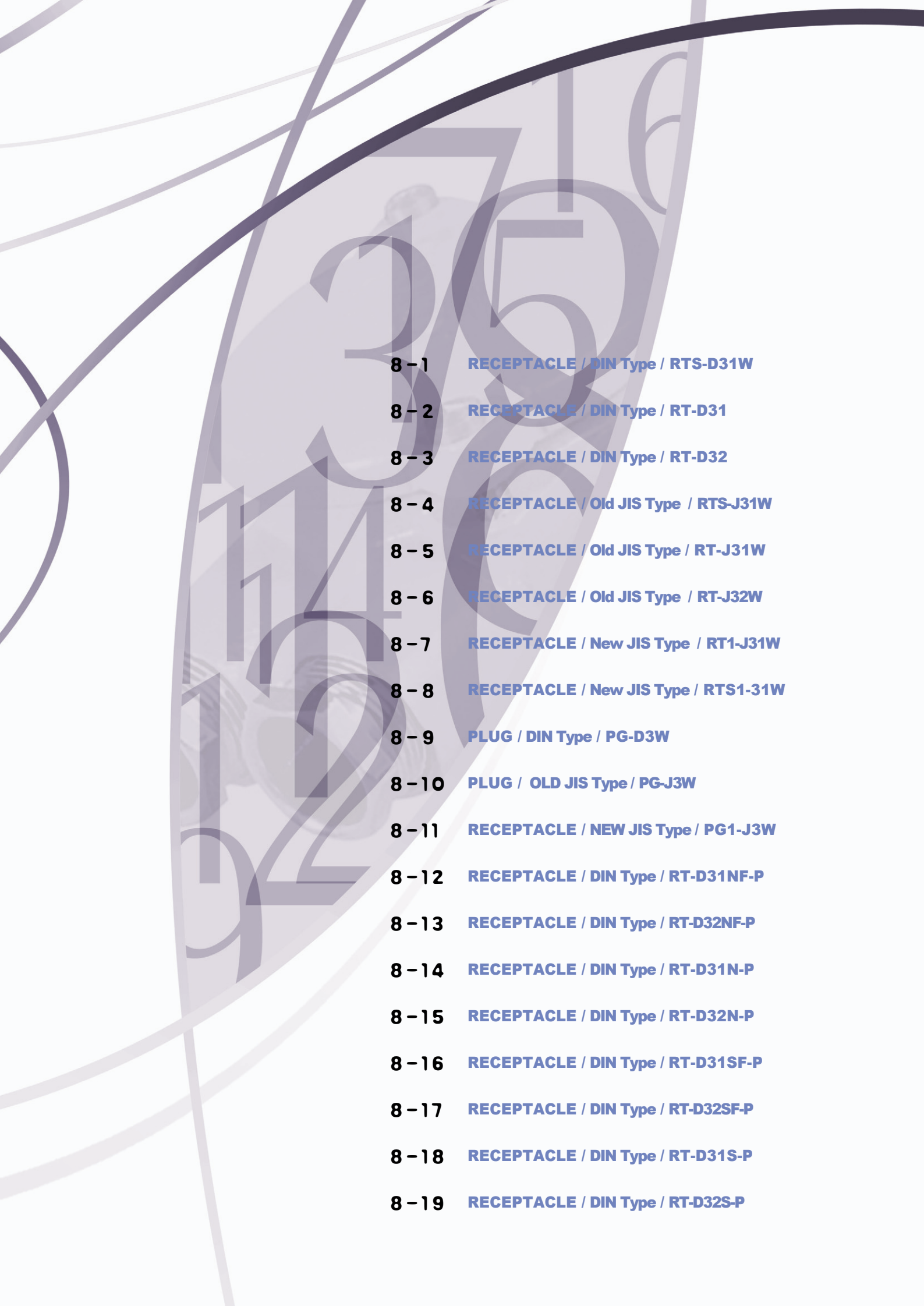
Cable entry : Two(2) cable glands 20a~c  
(Max.diameter 16mm cable)  
Mounting : Three(3) mounting holes, dia.6mm



## RECEPTACLE AND PLUGS



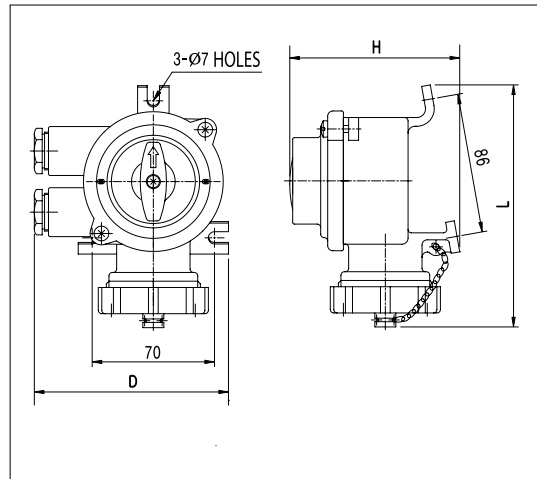
[www.kukdongelecom.com](http://www.kukdongelecom.com)

- 
- 8-1 RECEPTACLE / DIN Type / RTS-D31W
  - 8-2 RECEPTACLE / DIN Type / RT-D31
  - 8-3 RECEPTACLE / DIN Type / RT-D32
  - 8-4 RECEPTACLE / Old JIS Type / RTS-J31W
  - 8-5 RECEPTACLE / Old JIS Type / RT-J31W
  - 8-6 RECEPTACLE / Old JIS Type / RT-J32W
  - 8-7 RECEPTACLE / New JIS Type / RT1-J31W
  - 8-8 RECEPTACLE / New JIS Type / RTS1-31W
  - 8-9 PLUG / DIN Type / PG-D3W
  - 8-10 PLUG / OLD JIS Type / PG-J3W
  - 8-11 RECEPTACLE / NEW JIS Type / PG1-J3W
  - 8-12 RECEPTACLE / DIN Type / RT-D31NF-P
  - 8-13 RECEPTACLE / DIN Type / RT-D32NF-P
  - 8-14 RECEPTACLE / DIN Type / RT-D31N-P
  - 8-15 RECEPTACLE / DIN Type / RT-D32N-P
  - 8-16 RECEPTACLE / DIN Type / RT-D31SF-P
  - 8-17 RECEPTACLE / DIN Type / RT-D32SF-P
  - 8-18 RECEPTACLE / DIN Type / RT-D31S-P
  - 8-19 RECEPTACLE / DIN Type / RT-D32S-P

# RECEPTACLE / DIN Type / RTS-D31W



## Technical Drawing



### Model no. and Dimensions

Model no.	Capacity	L	D (mm)	H	Weight (kg)	Remark
RTS-D31W-P	16A	146	113	114	0.5	Polycarbonate
RTS-D31W-B	16A	146	113	114	1.57	Cast Brass

### Application

Machinery area, out door,  
Outdoors use (Wet and moisture area)  
Chemical processing and industrial area.

### Design

According to rules of maritime classification societies, additional IEC

### Features

Receptacle DIN (2P+1E) with Switch  
Surface, single  
Protection degree : IP56

### Materials

Housing : Polycarbonate  
Cover : Polycarbonate

### Finish

Body : Blue green (Munsell No.7.5BG7/2)  
Cover : Black

### Specification

Cable entry : Two(2) cable glands M24x1.5  
(Max.diameter 17mm cable)  
Mounting : Three(3) mounting holes, dia.7mm  
Voltage and frequency : AC250V 16A are standard

### Optional

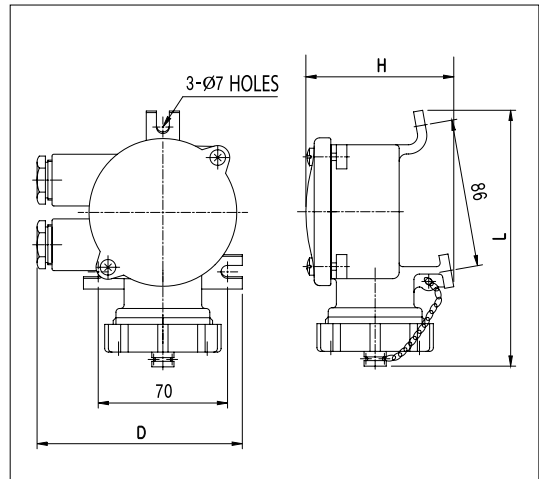
Housing : Cast Brass (Natural)  
Cover : Polycarbonate(Black)



# RECEPTACLE / DIN Type / RT-D31



## Technical Drawing



### Model no. and Dimensions

Model no.	Capacity	L	D (mm)	H	Weight (kg)	Remark
RT-D31W-P	16A	146	113	79	0.4	Polycarbonate
RT-D31W-B	16A	146	113	79	1.49	Cast brass

### Application

Machinery area, out door,  
Outdoors use (Wet and moisture area)  
Chemical processing and industrial area.

### Design

According to rules of maritime classification societies, additional IEC

### Features

Receptacle DIN (2P+1E)  
Surface, single  
Protection degree : IP56

### Materials

Housing : Polycarbonate  
Cover : Polycarbonate

### Finish

Body : Blue green (Munsell No.7.5BG7/2)  
Cover : Blue green (Munsell No.7.5BG7/2)

### Specification

Cable entry : Two(2) cable glands M24x1.5  
(Max.diameter 17mm cable)  
Mounting : Three(3) mounting holes, dia.7mm  
Voltage and frequency : AC250V 16A are standard

### Optional

Housing : Cast Brass (Natural)  
Cover : Cast Brass (Natural)

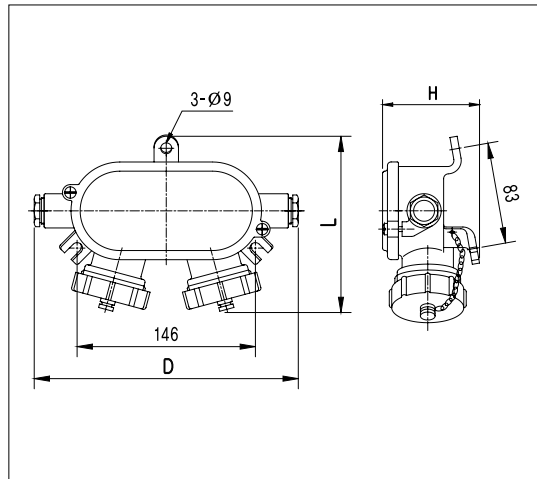




# RECEPTACLE / DIN Type / RT-D32



## Technical Drawing



### Model no. and Dimensions

Model no.	Capacity	L	D (mm)	H	Weight (kg)	Remark
RT-D32W-B	16A	200	144	78	2.22	
RTS-D32W-B	16A	200	144	78	2.32	W / Switch

### Application

Machinery area, out door,  
Outdoors use (Wet and moisture area)  
Chemical processing and industrial area.

### Design

According to rules of maritime classification societies, additional IEC

### Features

Receptacle DIN (2P+1E)  
Surface, double  
Protection degree : IP56

### Materials

Housing : Cast Brass  
Cover : Cast Brass

### Finish

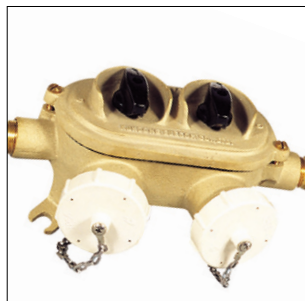
Housing : Natural  
Cover : Natural

### Specification

Cable entry : Two(2) cable glands M24x1.5  
(Max.diameter 17mm cable)  
Mounting : Three(3) mounting holes, dia.9mm  
Voltage and frequency : AC250V 16A are standard

### Optional

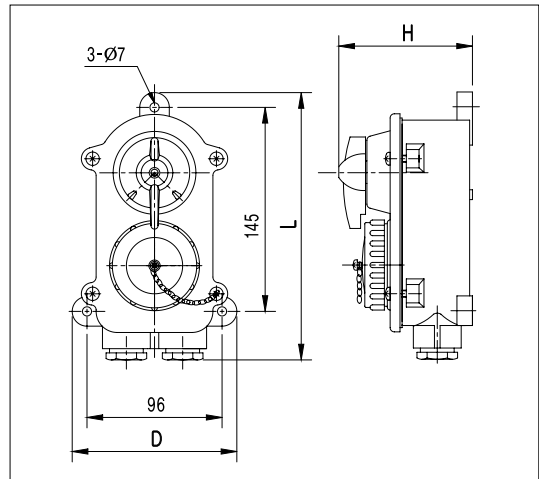
With Switch (ON-OFF)



# RECEPTACLE / Old JIS Type / RTS-J31W



## Technical Drawing



### Model no. and Dimensions

Model no.	Capacity	L	D (mm)	H	Weight (kg)	Remark
RTS-J31W-P	15A	190	120	95	0.85	Polycarbonate
RTS-J31W-B	15A	190	120	95	2.1	Cast brass

### Application

Machinery area, out door  
Outdoors use (Wet and moisture area)  
Chemical processing and industrial area.

### Design

According to rules of maritime classification societies, additional JIS(Japanese Industrial Standards)

### Features

Receptacle Old JIS(2P+1E)  
Surface, single  
Protection degree : IP56

### Materials

Housing : PBT(Poly Butylene Terephthalate)  
Cover : PBT(Poly Butylene Terephthalate)

### Finish

Body : Blue green (Munsell No.7.5BG7/2)  
Cover : Blue green (Munsell No.7.5BG7/2)

### Specification

Cable entry : Two(2) cable glands M24x1.5  
(Max.diameter 17mm cable)  
Mounting : Three(3) mounting holes, dia.7mm  
Voltage and frequency : AC250V 15A are standard

### Optional

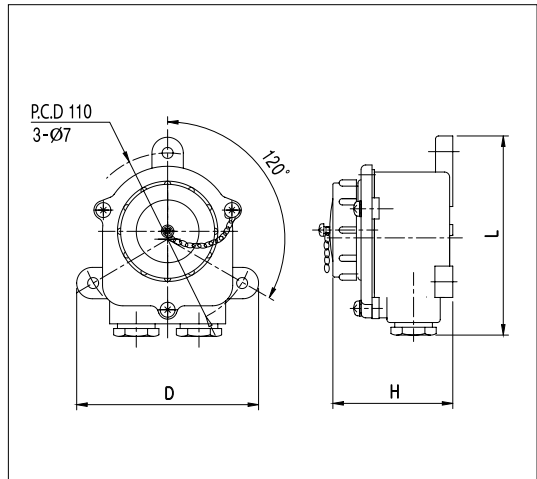
Housing : Cast Brass (Natural)  
Cover : Cast Brass (Natural)



# RECEPTACLE / Old JIS Type / RT-J31W



## Technical Drawing



## Model no. and Dimensions

Model no.	Capacity	L	D (mm)	H	Weight (kg)	Remark
RT-J31W-P	15A	127	120	77	0.4	Polycarbonate
RT-J31W-B	15A	127	120	77	1.24	Cast brass

## Application

Machinery area, out door,  
Outdoors use (Wet and moisture area)  
Chemical processing and industrial area.

## Design

According to rules of maritime classification societies, additional JIS(Japanese Industrial Standards)

## Features

Receptacle Old JIS(2P+1E)  
Surface, single  
Protection degree : IP56

## Materials

Housing : PBT(Poly Butylene Terephthalate)  
Cover : PBT(Poly Butylene Terephthalate)

## Finish

Body : Blue green (Munsell No.7.5BG7/2)  
Cover : Blue green (Munsell No.7.5BG7/2)

## Specification

Cable entry : Two(2) cable glands M24x1.5  
(Max.diameter 17mm cable)  
Mounting : Three(3) mounting holes, dia.7mm  
Voltage and frequency : AC250V 15A are standard

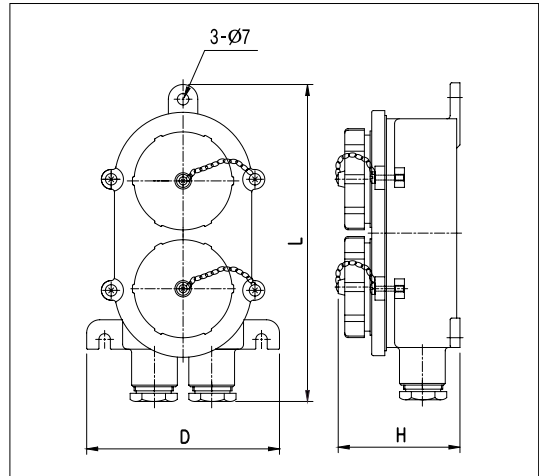
## Optional

Housing : Cast Brass (Natural)  
Cover : Cast Brass (Natural)





**Technical Drawing**



**Model no. and Dimensions**

Model no.	Capacity	L	D (mm)	H	Weight (kg)	Remark
RT-J32W-B	15A	190	120	75	1.92	Cast brass

**Application**

Machinery area, out door,  
Outdoors use (Wet and moisture area)  
Chemical processing and industrial area.

**Design**

According to rules of maritime classification societies, additional JIS(Japanese Industrial Standards)

**Features**

Receptacle Old JIS (2P+1E)  
Surface, double  
Protection degree : IP56

**Materials**

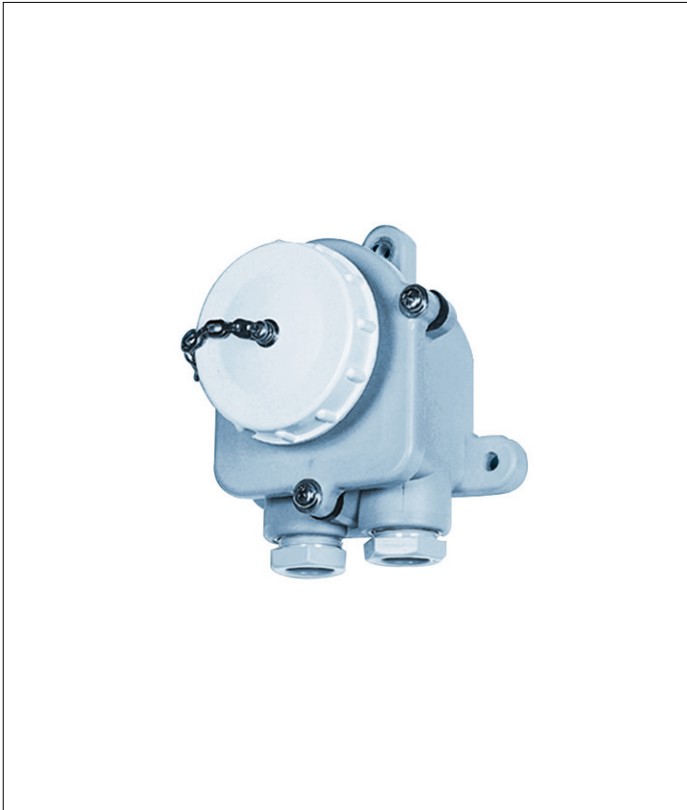
Housing : Cast Brass  
Cover : Cast Brass

**Finish**

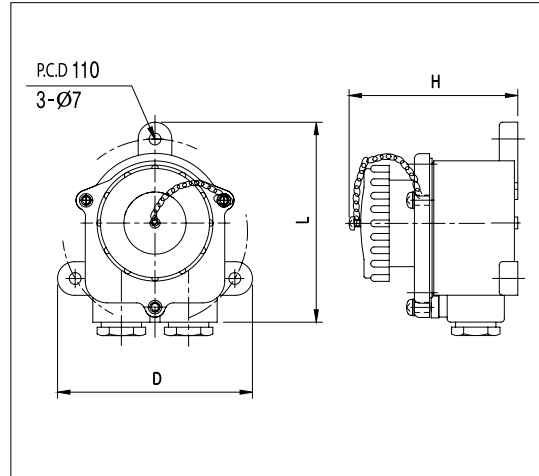
Body : Natural  
Cover : Natural

**Specification**

Cable entry : Two(2) cable glands M24x1.5  
(Max.diameter 17mm cable)  
Mounting : Three(3) mounting holes, dia.7mm  
Voltage and frequency : AC250V 15A are standard



**Technical Drawing**



**Model no. and Dimensions**

Model no.	Capacity	L	D (mm)	H	Weight (kg)	Remark
RT1-J31W-P	16A	127	116	100	0.4	Polycarbonate

**Application**

Machinery area, out door,  
Outdoors use (Wet and moisture area)  
Chemical processing and industrial area.

**Design**

According to rules of maritime classification societies, additional New JIS(Japanese Industrial Standards)

**Features**

Receptacle New JIS (2P+1E)  
Surface, single  
Protection degree : IP56

**Materials**

Housing : PBT(Poly Butylene Terephthalate)  
Cover : PBT(Poly Butylene Terephthalate)

**Finish**

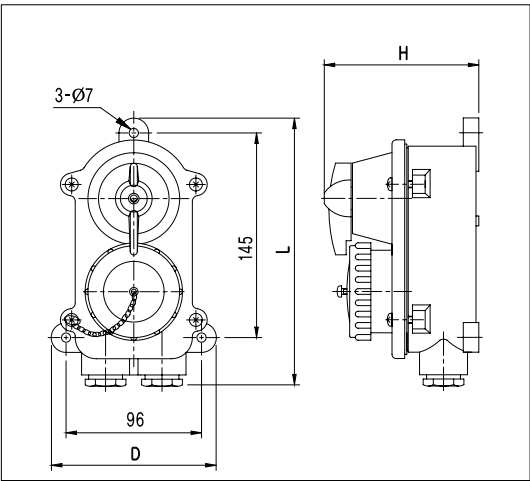
Body : Blue green (Munsell No.7.5BG7/2)  
Cover : Blue green (Munsell No.7.5BG7/2)

**Specification**

Cable entry : Two(2) cable glands M24x1.5  
(Max.diameter 17mm cable)  
Mounting : Three(3) mounting holes, dia.7mm  
Voltage and frequency : AC250V 16A are standard



Technical Drawing



Model no. and Dimensions

Model no.	Capacity	L	D (mm)	H	Weight (kg)	Remark
RTS1-J31W-P	16A	190	117	120	0.4	Polycarbonate

Application

Machinery area, out door  
 Outdoors use (Wet and moisture area)  
 Chemical processing and industrial area.

Design

According to rules of maritime classification societies, additional NEW JIS(Japanese Industrial Standards)

Features

Receptacle New JIS (2P+1E) with Switch  
 Surface, single  
 Protection degree : IP56

Materials

Housing : PBT(Poly Butylene Terephthalate)  
 Cover : PBT(Poly Butylene Terephthalate)

Finish

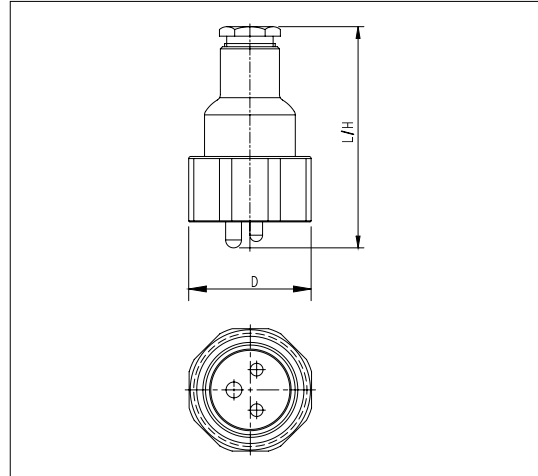
Body : Blue green (Munsell No.7.5BG7/2)  
 Cover : Blue green (Munsell No.7.5BG7/2)

Specification

Cable entry : Two(2) cable glands M24x1.5  
 (Max.diameter 17mm cable)  
 Mounting : Three(3) mounting holes, dia.7mm  
 Voltage and frequency : AC250V 16A are standard



**Technical Drawing**



**Model no. and Dimensions**

Model no.	Capacity	L	D (mm)	H	Weight (kg)	Remark
PG-D3W2P	16A	137	65	65	0.4	Polycarbonate
PG-D3W2B	16A	95	58	58	0.6	Cast Brass

**Application**

Machinery area, out door  
 Outdoors use (Wet and moisture area)  
 Chemical processing and industrial area

**Design**

According to rules of maritime classification societies, additional IEC

**Features**

Plug DIN(2P+1E)  
 Protection degree : IP56

**Materials**

Body : Polycarbonate

**Finish**

Body : Blue green (Munsell No.7.5BG7/2)

**Specification**

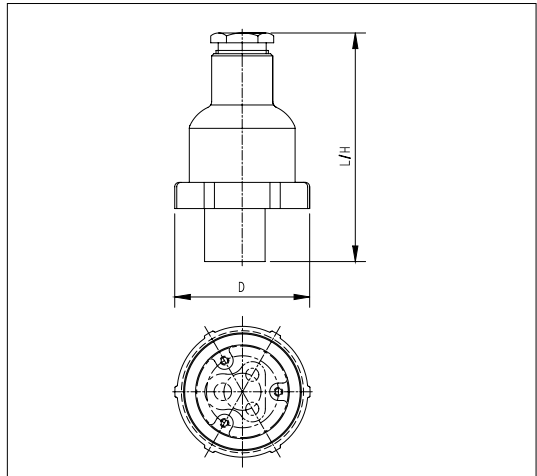
Cable entry : One(1) cable gland M24x1.5  
 (Max. diameter 16mm cable)  
 Voltage and frequency : AC250V 16A are standard

**Optional**

Body : Cast Brass(Natural)



**Technical Drawing**



**Model no. and Dimensions**

Model no.	Capacity	L	D (mm)	H	Weight (kg)	Remark
PG-J3W2B	15A	105	60	60	0.4	Cast Brass(2P+1E)
PG-J3W2BL	15A	75	60	60	0.4	Cast Brass(2P+1E)
PG-J4W5B	20A	131	75	75	0.6	Cast Brass(3P+1E)

**Application**

Machinery area, out door  
Outdoors use (Wet and moisture area)  
Chemical processing and industrial area.

**Design**

According to rules of maritime classification societies, additional OLD JIS(Japanese Industrial Standards)

**Features**

Plug OLD JIS(2P+1E)  
Protection degree : IP56

**Materials**

Body : Cast brass

**Finish**

Body : Natural

**Specification**

Cable entry : One(1) cable glands 20a~c  
(Max. diameter 16mm cable)  
Voltage and frequency : AC250V 15A are standard

**Optional**

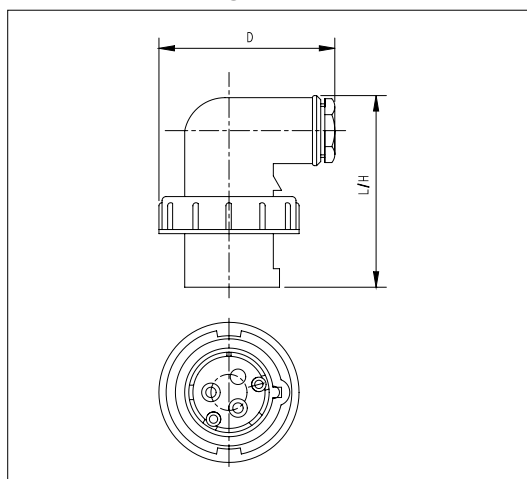
Plug OLD JIS(2P+1E) : "L" Type  
Plug OLD JIS(3P+1E)







**Technical Drawing**



**Model no. and Dimensions**

Model no.	Watt	L	D (mm)	H	Weight (kg)	Remark
PG1-J3W2PL	16A	92	87	92	0.13	ABS

**Application**

Machinery area, out door  
 Outdoors use (Wet and moisture area)  
 Chemical processing and industrial area.

**Design**

According to rules of maritime classification societies, additional NEW JIS(Japanese Industrial Standards)

**Features**

Plug NEW JIS(2P+1E)  
 Protection degree : IP56

**Materials**

Body : ABS(Acrlonitrile Butadiene Styrene)

**Finish**

Body : Yellow (Munsell No.10YR10/14)

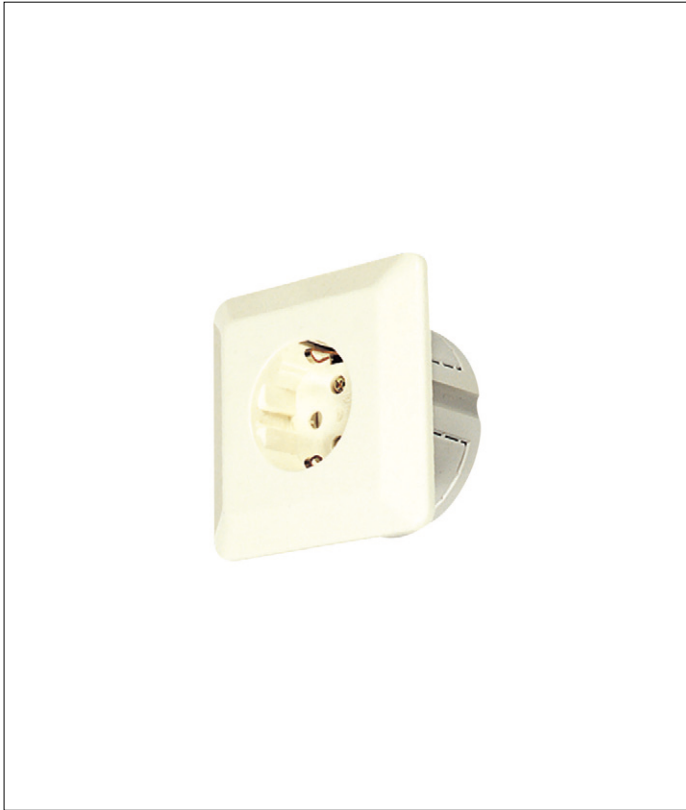
**Specification**

Cable entry : One(1) cable gland M24x1.5  
 (Max. diameter 16mm cable)  
 Voltage and frequency : AC250V 16A are standard  
 (Earth : 6h)

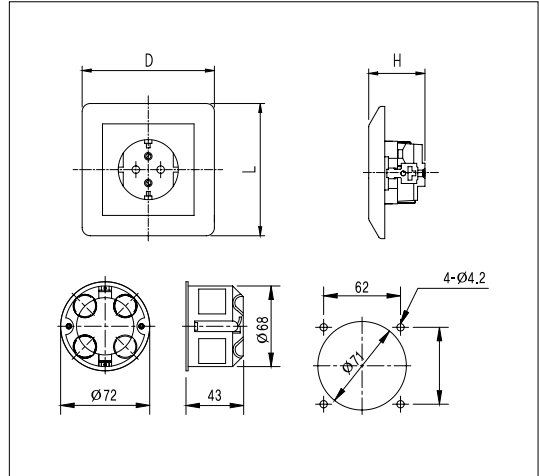
**Optional**

Voltage and frequency : AC125V 16A(Earth : 4h)

# RECEPTACLE / DIN Type / RT-D31NF-P



## Technical Drawing



### Model no. and Dimensions

Model no.	Watt	L	D (mm)	H	Weight (kg)	Remark
RT-D31NF-P	16A	84	84	42	0.1	

### Application

Accommodation area

### Design

According to rules of maritime classification societies, additional IEC

### Features

Receptacle DIN (2P+1E)  
 Flush, Single  
 Protection degree : IP20  
 Halogenfree  
 Fit into multi box

### Materials

Housing : ABS(Acrilonitrile Butadiene Styrene)

### Finish

Polar white

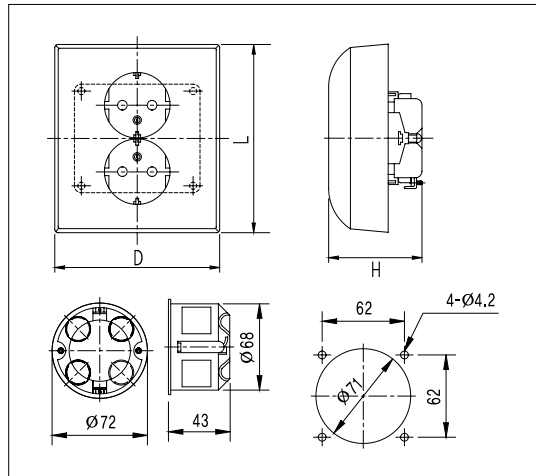
### Specification

Voltage and frequency : AC250V 16A are standard

# RECEPTACLE / DIN Type / RT-D32NF-P



## Technical Drawing



### Model no. and Dimensions

Model no.	Capacity	L	D (mm)	H	Weight (kg)	Remark
RT-D32NF-P	16A	103	84	41	0.14	

### Application

Accommodation area

### Design

According to rules of maritime classification societies, additional IEC

### Features

- Receptacle DIN (2P+1E)
- Flush, Double
- Protection degree : IP20
- Halogenfree
- Fit into multi box

### Materials

Housing : ABS(Acrilonitrile Butadiene Styrene)

### Finish

Polar white

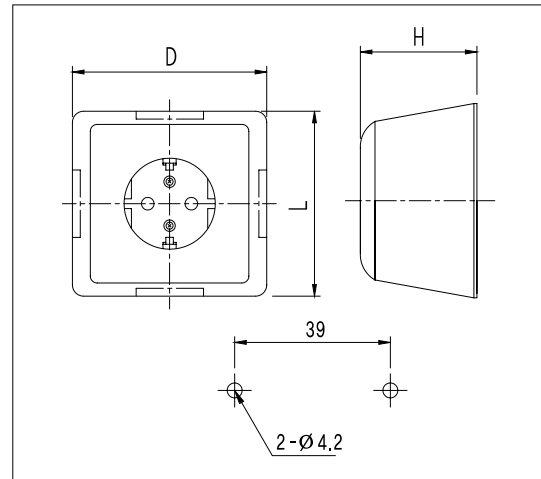
### Specification

Voltage and frequency : AC250V 16A are standard

# RECEPTACLE / DIN Type / RT-D31N-P



## Technical Drawing



### Model no. and Dimensions

Model no.	Capacity	L	D (mm)	H	Weight (kg)	Remark
RT-D31N-P	16A	63	71	42	0.1	

### Application

Accommodation area

### Design

According to rules of maritime classification societies, additional IEC

### Features

Receptacle DIN (2P+1E)  
 Surface, Single  
 Protection degree : IP20  
 Halogenfree

### Materials

Housing : ABS(Acrlonitrile Butadiene Styrene)

### Finish

Polar white

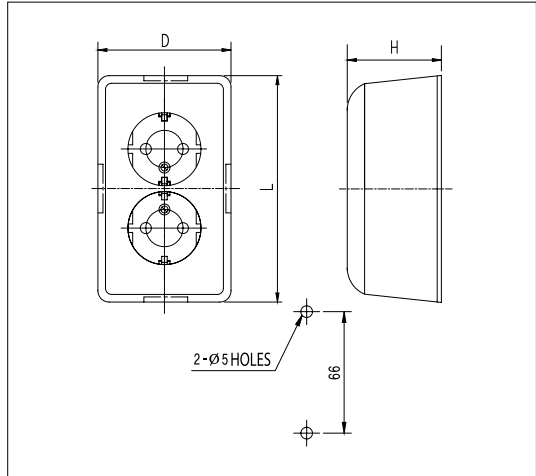
### Specification

Voltage and frequency : AC250V 16A are standard

# RECEPTACLE / DIN Type / RT-D32N-P



## Technical Drawing



### Model no. and Dimensions

Model no.	Capacity	L	D (mm)	H	Weight (kg)	Remark
RT-D32N-P	16A	104	71	42	0.145	

### Application

Accommodation area

### Design

According to rules of maritime classification societies, additional IEC

### Features

Receptacle DIN (2P+1E)  
 Surface, Double  
 Protection degree : IP20  
 Halogenfree

### Materials

Housing : ABS(Acrlonitrile Butadiene Styrene)

### Finish

Polar white

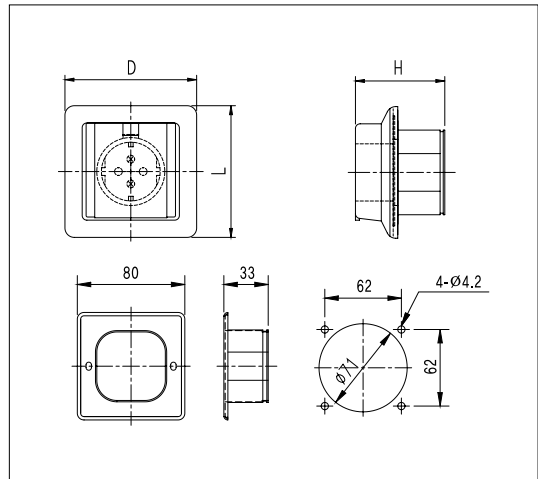
### Specification

Voltage and frequency : AC250V 16A are standard

# RECEPTACLE / DIN Type / RT-D31SF-P



## Technical Drawing



### Model no. and Dimensions

Model no.	Capacity	L	D (mm)	H	Weight (kg)	Remark
RT-D31SF-P	16A	84	84	60	0.17	

### Application

Accommodation area, Galley

### Design

According to rules of maritime classification societies, additional IEC

### Features

Receptacle DIN (2P+1E)  
 Flush, Single  
 Protection degree : IP44  
 Halogenfree

### Materials

Housing : ABS(Acrylonitrile Butadiene Styrene)

### Finish

Polar white

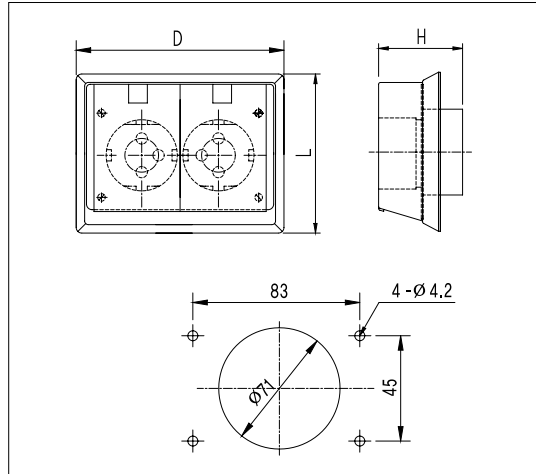
### Specification

Voltage and frequency : AC250V 16A are standard

# RECEPTACLE / DIN Type / RT-D32SF-P



## Technical Drawing



### Model no. and Dimensions

Model no.	Capacity	L	D (mm)	H	Weight (kg)	Remark
RT-D32SF-P	16A	85	111	52	0.215	

### Application

Accommodation area, Galley

### Design

According to rules of maritime classification societies, additional IEC

### Features

Receptacle DIN (2P+1E)  
 Flush, Double  
 Protection degree : IP44  
 Halogenfree

### Materials

Housing : ABS(Acrilonitrile Butadiene Styrene)

### Finish

Polar white

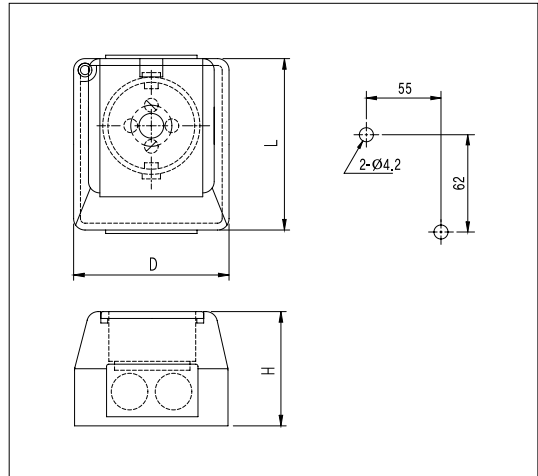
### Specification

Voltage and frequency : AC250V 16A are standard

# RECEPTACLE / DIN Type / RT-D31S-P



## Technical Drawing



### Model no. and Dimensions

Model no.	Capacity	L	D (mm)	H	Weight (kg)	Remark
RT-D31S-P	16A	75	68	50	0.15	

### Application

Accommodation area, Galley

### Design

According to rules of maritime classification societies, additional IEC

### Features

Receptacle DIN (2P+1E)  
 Surface, Single  
 Protection degree : IP44  
 Halogenfree

### Materials

Housing : ABS(Acrilonitrile Butadiene Styrene)

### Finish

Polar white

### Specification

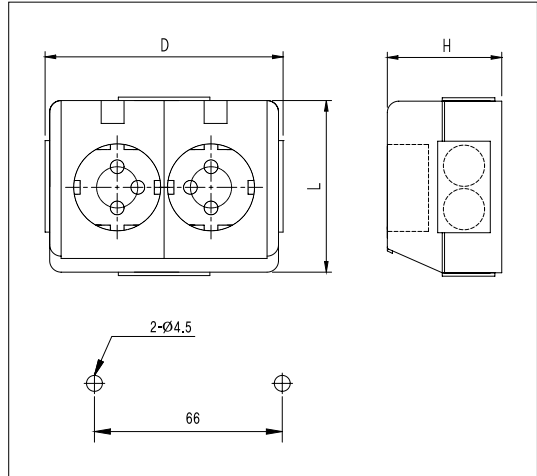
Voltage and frequency : AC250V 16A are standard



# RECEPTACLE / DIN Type / RT-D32S-P



## Technical Drawing



### Model no. and Dimensions

Model no.	Capacity	L	D (mm)	H	Weight (kg)	Remark
RT-D32S-P	16A	75	100	50	0.25	

### Application

Accommodation area, Galley

### Design

According to rules of maritime classification societies, additional IEC

### Features

Receptacle DIN (2P+1E)  
 Surface, Double  
 Protection degree : IP44  
 Halogenfree

### Materials

Housing : ABS(Acrlonitrile Butadiene Styrene)

### Finish

Polar white

### Specification

Voltage and frequency : AC250V 16A are standard



145

96

96

D

D