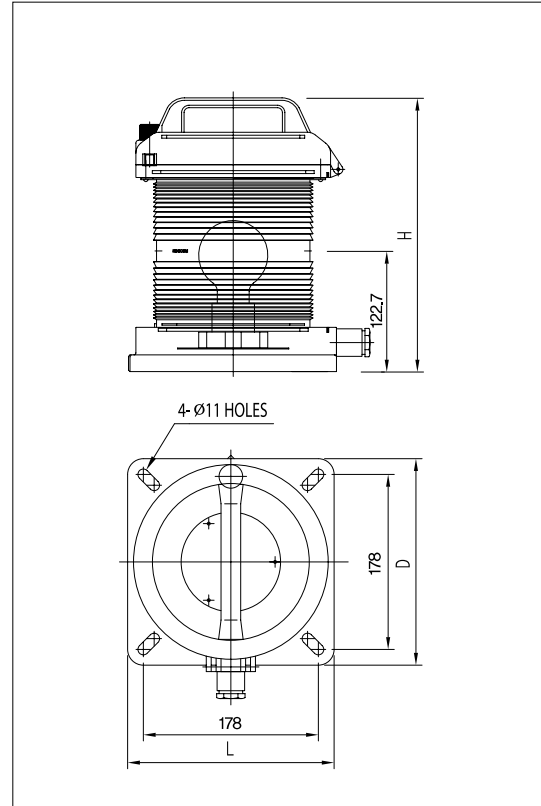




## Technical Drawing



## Model no. and Dimensions

### Navigation lights

Model no.	Capacity	L	D	H	Weight (kg)	Description	Remark
NM2A-S	60W	210	210	278.4	2.01	Masthead	White(225°)
NP2A-S	60W	210	210	278.4	2.15	Port side	Red(112.5°)
NT2A-S	60W	210	210	278.4	2.15	Starboard side	Green(112.5°)
NS2A-S	40W	210	210	278.4	2.13	Stem	White(135°)
NY2A-S	60W	210	210	278.4	2.13	Stem towing	Yellow(135°)

### Signal lights

Model no.	Capacity	L	D	H	Weight (kg)	Description	Remark
NA2A-S	60W	210	210	278.4	1.82	All Round white	White(360°)
NU2A-S	60W	210	210	278.4	1.82	All Round red	Red(360°)
NF2A-S	60W	210	210	278.4	1.82	All Round green	Green(360°)
NV-S	100W	210	210	278.4	1.82	Manoeuvring	White(360°)
NH-S	100W	210	210	278.4	1.82	Huge vessel (180-200F/min)	Green(360°)
NG-S	100W	210	210	278.4	1.82	Dangerous Cargo(120-140F/min)	Red(360°)



## Application

All Vessels of 20M and above in length

## Design

According to rules of maritime classification societies, additional In compliance with IMO 1972

## Features

Protection degree : IP56

The body structure is hinged on the cable connection and maintenance is very easy.

Min. Visibilities : 3N.M(Masthead light 6N.M)

Huge vessel & Dangerous cargo light :

P.C.B box unit required

## Materials

Seawater resistant material

Frame & Cover : Polycarbonate

Lense : Polycarbonate

## Finish

Frame & Cover : Mat black

Lense : Color lense

## Specification

Light sources : Incandescent lamp

40/60/100W

Lamp base : E27

Cable entry : One(1) cable gland M24x1.5

(Max.diameter 17mm cable)

Mounting : 4 mounting holes, dia.11mm

Voltage and frequency : AC220V are standard

Others on request

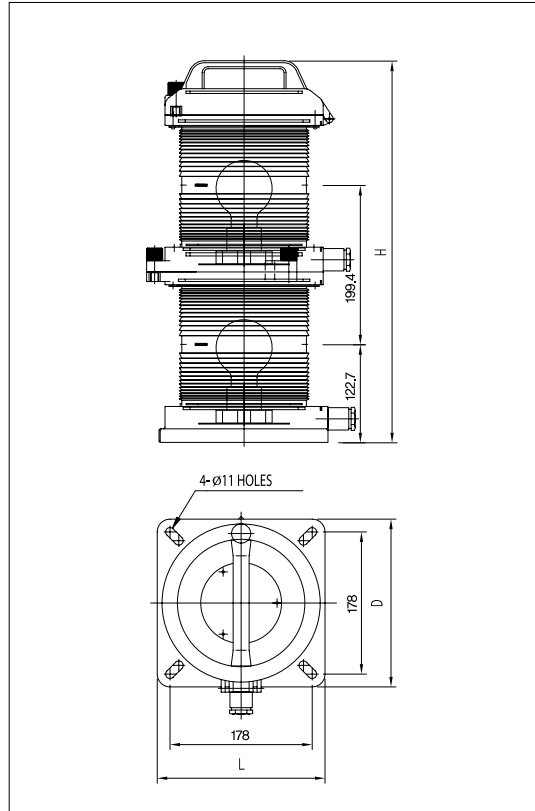
## Optional

With 1.5M cable(TPNP-1.5)

# NAVIGATION & SIGNAL LIGHTS / DUAL / N-D



## Technical Drawing



## Model no. and Dimensions

### Navigation lights

Model no.	Capacity	L	D	H	Weight (kg)	Description	Remark
		(mm)					
NM2A-D	60W	210	210	478	3.72	Masthead	White(225°)
NP2A-D	60W	210	210	478	4.0	Port side	Red(112.5°)
NT2A-D	60W	210	210	478	4.0	Starboard side	Green(112.5°)
NS2A-D	40W	210	210	478	3.96	Stern	White(135°)

### Signal lights

Model no.	Capacity	L	D	H	Weight (kg)	Description	Remark
		(mm)					
NA2A-D	60W	210	210	478	3.34	All Round white	White(360°)
NU2A-D	60W	210	210	478	3.34	All Round red	Red(360°)

## Application

All Vessels of 20M and above in length

## Design

According to rules of maritime classification societies, additional In compliance with IMO 1972

## Features

Protection degree : IP56

The body structure is hinged on the cable connection and maintenance is very easy.

Min. Visibilities : 3N.M(Masthead light 6N.M)

## Materials

Seawater resistant material

Frame & Cover : Polycarbonate

Lense : Polycarbonate

## Finish

Frame & Cover : Mat black

Lense : Color lense

## Specification

Light sources : Incandescent lamp

40/60/100W

Lamp base : E27

Cable entry : Two(2) cable glands M24x1.5

(Max.diameter 17mm cable)

Mounting : 4 mounting holes, dia.11mm

Voltage and frequency : AC220V are standard

Others on request

## Optional

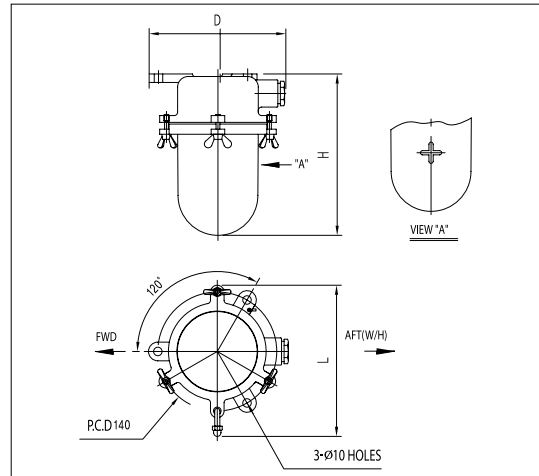
With 1.5M cable(TPNP-1.5)



# SIGNAL LIGHTS / SL-C / SL-S



## Technical Drawing



## Model no. and Dimensions

### Signal lights

Model no.	Capacity	L	D (mm)	H	Weight (kg)	Remark
SL-C40W	40W	178	162	190	1.6	White
SL-C40R	40W	178	162	190	1.6	Red
SL-C40G	40W	178	162	190	1.6	Green
SL-S40B	40W	178	162	190	1.65	Blue

## Application

Ship's Passage for Suez/Panama canal

## Design

According to rules of maritime classification societies

## Features

Protection degree : IP56

The body structure is hinged on the cable connection and maintenance is very easy.

## Materials

Body & Frame : Cast brass

Globe : Glass

## Finish

Body & Frame : Natural

Globe : general warning function in different colors.

## Specification

Light sources : Incandescent lamp  
40/60W

Lamp base : E27

Cable entry : One(1) cable gland M24x1.5  
(Max.diameter 17mm cable)

Mounting : 3 mounting holes, dia.10mm

Voltage and frequency : AC220V are standard

Others on request

## Optional

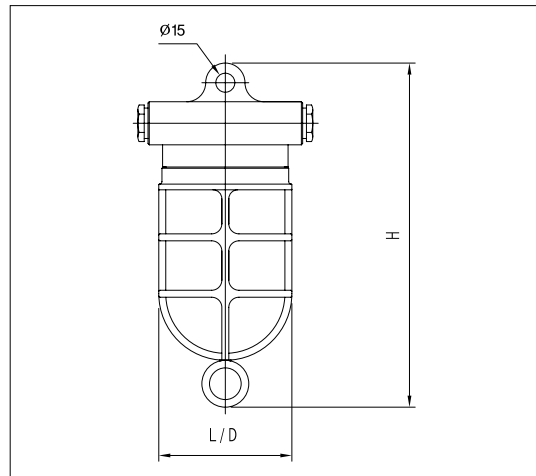
With Dimmer switch for Panama steering light



# SIGNAL LIGHTS / SL-P



## Technical Drawing



### Model no. and Dimensions

#### Warning light

Model no.	Capacity	L	D (mm)	H	Weight (kg)	Remark
SL-P60R	60W	105	105	270	2.51	Red

### Application

Weather deck, Hanging type

### Design

According to rules of maritime classification societies

### Features

Protection degree : IP56

### Materials

Body : Cast brass  
Guard : Cast Brass  
Globe : Glass

### Finish

Body & Frame : Natural  
Globe : Red

### Specification

Light sources : Incandescent lamp  
40/60/100W  
Lamp base : E27  
Cable entry : Two(2) cable glands M24x1.5  
(Max.diameter 17mm cable)  
Hanging Ring  
Voltage and frequency : AC220V are standard  
Others on request

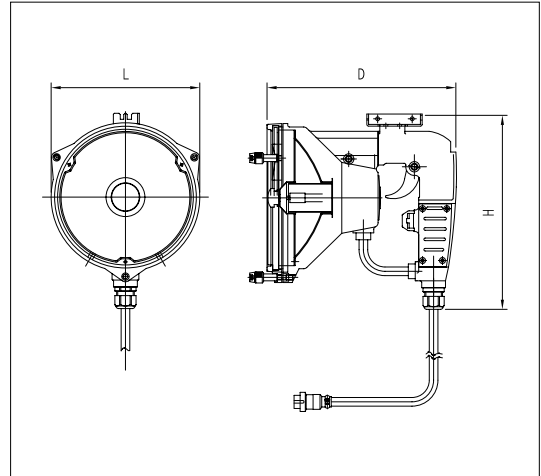
### Optional

With 10M cable(TPNP-1.5) & W.T Plug DIN(2P+1E)

# PORTABLE DAYLIGHT SIGNALLING LAMP / DSL-60ABC



## Technical Drawing



## Model no. and Dimensions

Model no.	Capacity	L	D	H	Weight (kg)	Remark
		(mm)				
DSL-60A	60W	173	242	232	2.7	
DSL-60ABC	60W	173	242	232	11.8	BATTERY & BATTERY CHARGER

## Application

Inside and Outside

## Design

According to rules of SOLAS

## Features

Protection degree : IP44 (JIS F 8007)  
 Luminous intensity : 60,000 cd or more  
 With Compartment for the Search light  
 and side compartment for 2 color filters  
 (Red & Green filters)

## Materials

Body : Aluminium  
 High polished glass reflector

## Finish

Body : Mat black

## Specification

Light sources : Halogen lamp  
 60W  
 Lamp base : G4  
 With Capture cord : 10M  
 Voltage and frequency : 24V are standard  
 With Three(3) lamp : One(1) lamp + Two(2) spare lamps

## Optional

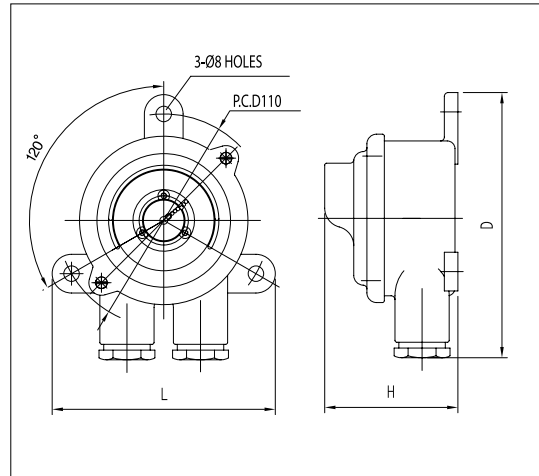
With Battery 24V, 7.2Ah  
 With Battery charger : Connection Voltage : 220VAC  
 Charging Voltage : 24V  
 With W.T Receptacle, Surface type  
 With N.W.T Receptacle, Flush type



# RECEPTACLE / SURFACE / RTDS-SW



## Technical Drawing



### Model no. and Dimensions

Model no.	Capacity	L	D	H	Weight (kg)	Remark
		(mm)				
RTDS-SW	24V,7A	116	136	70	1.1	

### Application

Small Capacity DC & AC source

### Design

According to rules of maritime classification societies

### Features

Protection degree : IP56

### Materials

Body : Cast Brass  
Cover : Cast Brass

### Finish

Natural(Brass)

### Specification

Watertight Surface Type

4P Connector

Cable entry : Two(2) cable glands M24x1.5  
(Max.diameter 17mm cable)

Mounting : 3 mounting holes, dia.8mm

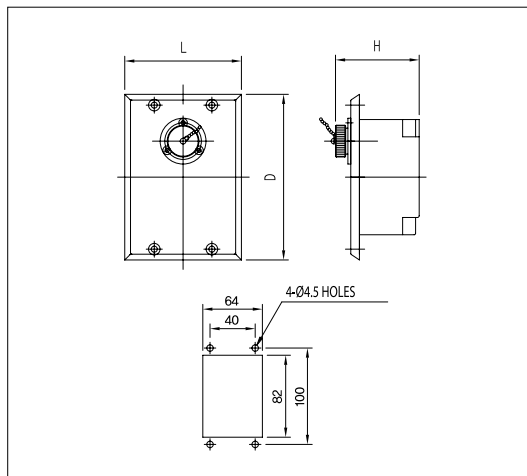
Voltage and frequency : 24V are standard

Others on request

# RECEPTACLE / FLUSH TYPE / RTDS-FN



## Technical Drawing



### Model no. and Dimensions

Model no.	Capacity	L	D (mm)	H	Weight (kg)	Remark
RTDS-FN	24V, 7A	80	115	62	0.11	

### Application

Small Capacity DC & AC source

### Design

According to rules of maritime classification societies

### Features

Protection degree : IP20

### Materials

Body : Resin(ABS)

Cover : Electroly Galvanized iron steel sheet

### Finish

Cover : Powder Coated white N-9.3  
and enamelled up to 70-80µm thickness

### Specification

Non watertight flush type

4P Connector

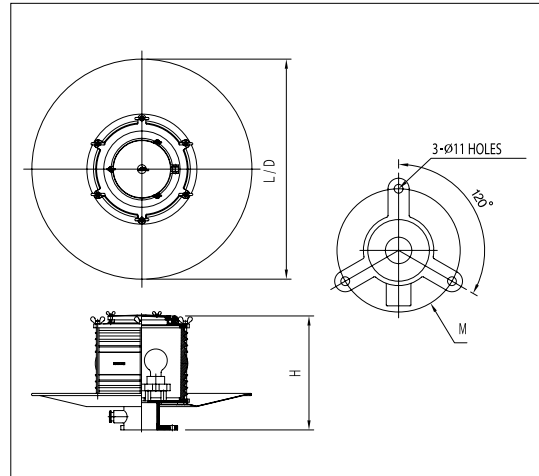
Voltage and frequency : 24V are standard

Others on request

# MORSE SIGNAL LIGHT / SL-M



## Technical Drawing



### Model no. and Dimensions

Model no.	Capacity	L	D	H	Weight (kg)	Remark
		(mm)				
SL-M24	4x20W	Ø500	Ø200	261	P.C.D140	10.4
SL-M23	3x20W	Ø300	Ø200	216	P.C.D110	5

### Application

Morse Signalling System

### Design

According to rules of maritime classification societies, additional JIS F

### Features

Protection degree : IP56

### Materials

Body : Cast brass

Cover : Glass

Screen : Brass sheet

### Finish

Body : Powder coated blue green 7.5BG7/2 and enamelled up to 70-80µm thickness

### Specification

Light sources : Incandescent lamp

4x20W

Lamp base : E27(4x20W),B15(3x20W)

Cable entry : One(1) cable gland M24x1.5

(Max.diameter 17mm cable)

Mounting : 3 mounting holes, dia.11mm

Voltage and frequency : AC220V 60Hz are standard

Others on request

### Optional

Light sources : Incandescent lamp

3x20W

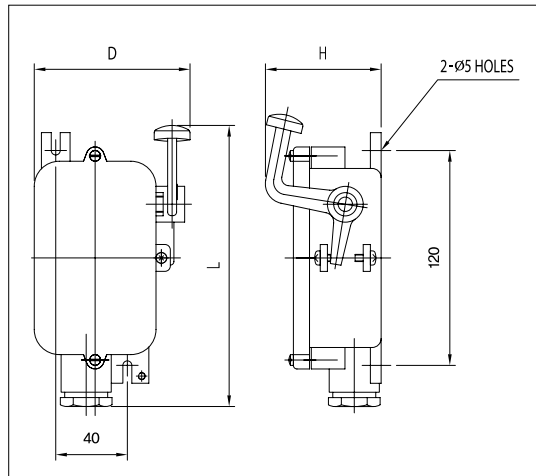




# MORSE KEY SWITCH / SURFACE / MK-SB



## Technical Drawing



### Model no. and Dimensions

Model no.	Capacity	L	D	H	Weight (kg)	Remark
MK-SB	AC250V, 6A	157	87	65	1.2	

### Application

Morse Signalling System

### Design

According to rules of maritime classification societies

### Features

Protection degree : IP56

### Materials

Body : Cast brass

Cover : Cast brass

### Finish

Body : Natural

### Specification

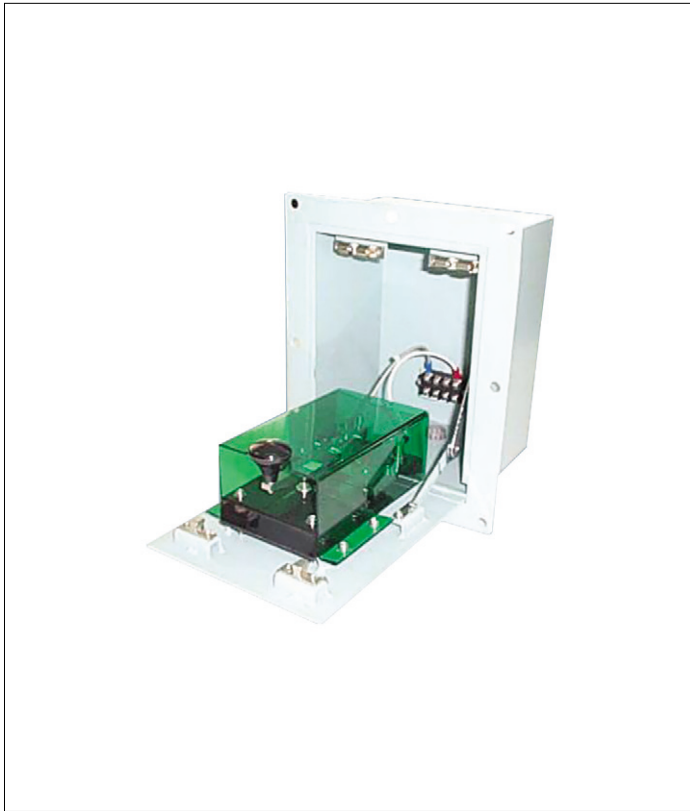
Watertight surface type

Cable entry : One(1) cable gland M24x1.5  
(Max.diameter 17mm cable)

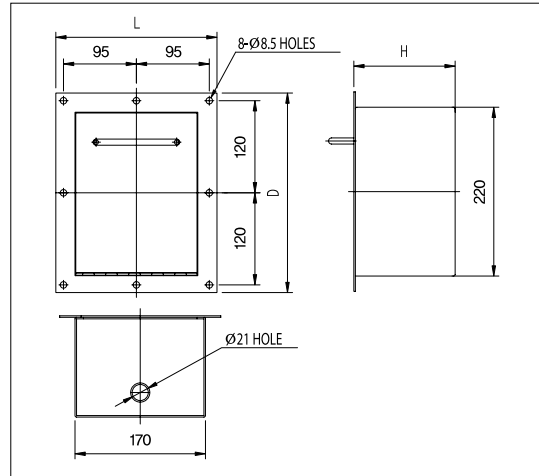
Mounting : 2 mounting holes, dia.5mm

Voltage and frequency : AC250V, 6A standard

# MORSE KEY SWITCH / FLUSH / MK-FS



## Technical Drawing



### Model no. and Dimensions

Model no.	Capacity	L	D	H	Weight (kg)	Remark
MK-FS	AC250V, 1A	210	260	105	3.8	

### Application

Morse Signalling System

### Design

According to rules of maritime classification societies

### Features

Protection degree : IP20

### Materials

Housing : Electrolytic Galvanized Iron steel sheet

### Finish

Housing : Powder coated blue green 7.5BG7/2 and enamelled up to 70-80 $\mu$ m thickness

### Specification

Nonwatertight flush type

Cable entry : One(1) snap bushing (Max.diameter 18mm cable)

Voltage and frequency : AC250V, 1A standard