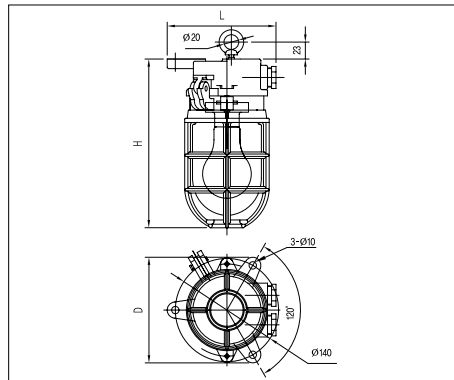


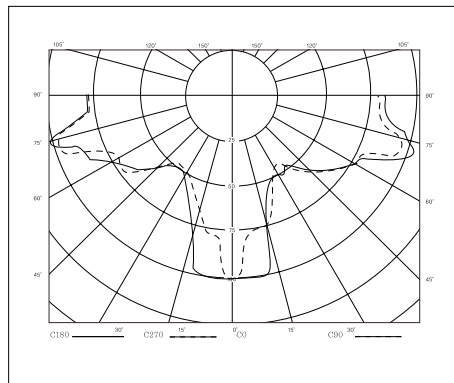
INCANDESCENT LIGHTS / IPH-P



Technical Drawing



Light Distribution Curve (cd/1,000lm)



Model no. and Dimensions

Model no.	Capacity	Volt	H	L		D	Weight (kg)	Remark
				(mm)	(mm)			
IPH-20WG-P	20W	220	228	Ø114	Ø144	0.96	Guard	
IPH-40WG-P	40W	220	228	Ø114	Ø144	0.96	Guard	
IPH-60WG-P	60W	220	228	Ø114	Ø144	0.96	Guard	
IPH-00WG-P	100W	220	228	Ø114	Ø144	0.96	Guard	
IPH-20WU-P	20W	220	228	Ø114	Ø144	0.96	Guard&screen	
IPH-40WU-P	40W	220	228	Ø114	Ø144	0.96	Guard&screen	
IPH-60WU-P	60W	220	228	Ø114	Ø144	0.96	Guard&screen	
IPH-00WU-P	100W	220	228	Ø114	Ø144	0.96	Guard&screen	
IPH-20WH-P	20W	220	228	Ø114	Ø144	0.96	Hanging hook	
IPH-40WH-P	40W	220	228	Ø114	Ø144	0.96	Hanging hook	
IPH-60WH-P	60W	220	228	Ø114	Ø144	0.96	Hanging hook	
IPH-00WH-P	100W	220	228	Ø114	Ø144	0.96	Hanging hook	
IPH-05WG-P	5W	DC24V	171	Ø114	Ø144	0.64	Guard	
IPH-10WG-P	10W	DC24V	171	Ø114	Ø144	0.64	Guard	
IPH-20WG-P	20W	DC24V	171	Ø114	Ø144	0.64	Guard	

Application

Engine room, workshops, stores
Holds, passage ways, etc

Design

According to rules of maritime classification societies, additional JIS (Japanese Industrial Standards)

Features

Watertight multipurpose lighting fixtures
Surface

The body structure is hinged on the cable connection and maintenance is very easy.
Protection degree : IP56

Materials

Housing : PBT (Poly Butylene Terephthalate)
Globe : Hard glass (clear) (S90)
Guard : Polycarbonate

Finish

Body : Blue green (Munsell No.7.5BG7/2)
Guard : Clear

Specification

Light sources : Incandescent lamp
20/40/60/100W

Lamp base : E27, B15(DC24V)

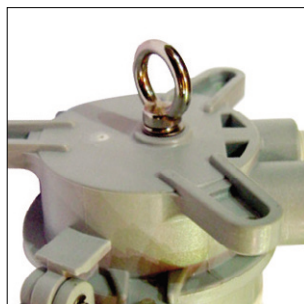
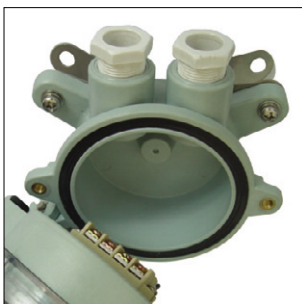
Cable entry : Two(2) cable glands M24x1.5
(Max.diameter 17mm cable)

Mounting : 3 mounting holes, dia.10mm

Voltage and frequency : AC220V are standard
Others on request

Optional

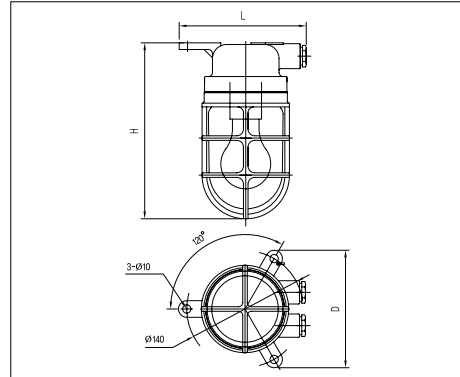
Guard : Cast brass
Screen : Stainless steel
Hanging hook



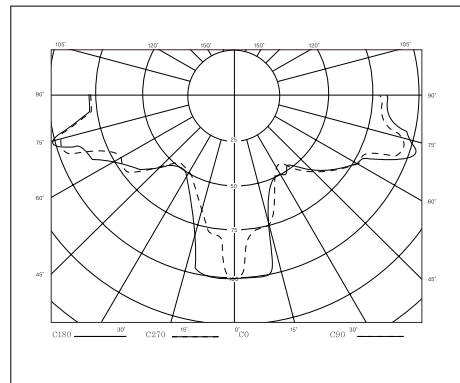
INCANDESCENT LIGHTS / IPN-B



Technical Drawing



Light Distribution Curve (cd/1,000lm)



Model no. and Dimensions

Model no.	Capacity	Volt	H	D	L	Weight (kg)	Remark
			(mm)				
IPN-20WG-B	20W	220	212	142	155	2.4	Guard
IPN-40WG-B	40W	220	212	142	155	2.4	Guard
IPN-60WG-B	60W	220	212	142	155	2.4	Guard
IPN-00WG-B	100W	220	212	142	155	2.4	Guard
IPN-20WU-B	20W	220	212	142	155	2.4	Guard & screen
IPN-40WU-B	40W	220	212	142	155	2.4	Guard & screen
IPN-60WU-B	60W	220	212	142	155	2.4	Guard & screen
IPN-00WU-B	100W	220	212	142	155	2.4	Guard & screen
IPN-05WG-B	5W	DC24V	170	142	155	1.9	Guard
IPN-10WG-B	10W	DC24V	170	142	155	1.9	Guard
IPN-20WG-B	20W	DC24V	170	142	155	1.9	Guard

Application

Engine room, workshops, stores
Holds, passage ways, etc

Design

According to rules of maritime classification societies, additional JIS (Japanese Industrial Standards)

Features

Watertight multipurpose lighting fixtures
Surface

Protection degree : IP56

Materials

Housing : Cast Brass
Globe : Hard glass (clear)(S90)
Guard : Cast brass

Finish

Body : Natural
Guard : Natural

Specification

Light sources : Incandescent lamp
20/40/60/100W
Lamp base : E27, B15(DC24V)
Cable entry : Two(2) cable glands M24x1.5
(Max.diameter 17mm cable)
Mounting : 3 mounting holes, dia.10mm
Voltage and frequency : AC220V are standard
Others on request

Optional

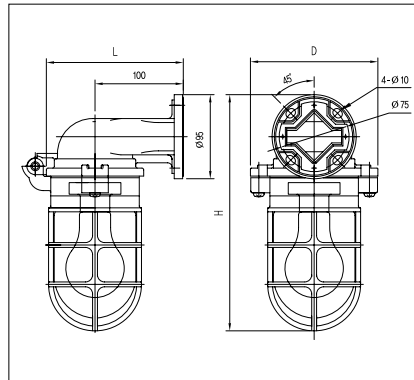
Screen : Stainless steel



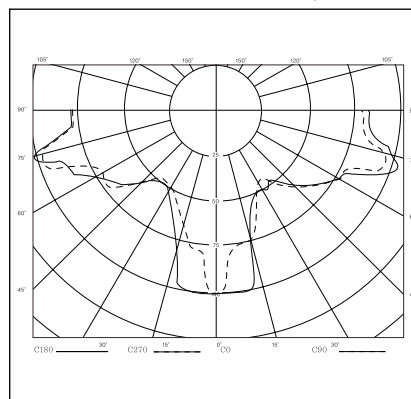
INCANDESCENT LIGHTS / IKH-P



Technical Drawing



Light Distribution Curve (cd/1,000lm)



Model no. and Dimensions

Model no.	Capacity	Volt	L	D	H	Weight (kg)	Remark
IKH-20WG-P	20W	220	155	144	267	1.24	Guard
IKH-40WG-P	40W	220	155	144	267	1.24	Guard
IKH-60WG-P	60W	220	155	144	267	1.24	Guard
IKH-00WG-P	100W	220	155	144	267	1.24	Guard
IKH-20WU-P	20W	220	155	144	267	1.24	Guard & screen
IKH-40WU-P	40W	220	155	144	267	1.24	Guard & screen
IKH-60WU-P	60W	220	155	144	267	1.24	Guard & screen
IKH-00WU-P	100W	220	155	144	267	1.24	Guard & screen
IKH-05WG-P	5W	DC24V	155	144	215	0.9	Guard
IKH-10WG-P	10W	DC24V	155	144	215	0.9	Guard
IKH-20WG-P	20W	DC24V	155	144	215	0.9	Guard

Application

Engine room, workshops, stores
Holds, passage ways, etc

Design

According to rules of maritime classification societies, additional JIS (Japanese Industrial Standards)

Features

Watertight multipurpose lighting fixtures
Surface

The body structure is hinged on the cable connection and maintenance is very easy.
Protection degree : IP56

Materials

Housing : PBT (Poly Butylene Terephthalate)
Globe : Hard glass (clear)(S90)
Guard : Cast Brass

Finish

Body : Blue green (Munsell No.7.5BG7/2)
Guard : Clear

Specification

Light sources : Incandescent lamp
20/40/60/100W

Lamp base : E27, B15(DC24V)

Cable entry : Bulkhead to directly connected with the flange

Mounting : 4 mounting holes, dia. 10mm

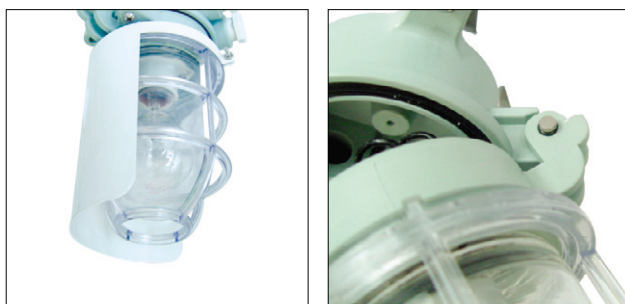
Voltage and frequency : AC220V are standard

Others on request

Optional

Screen : Stainless steel

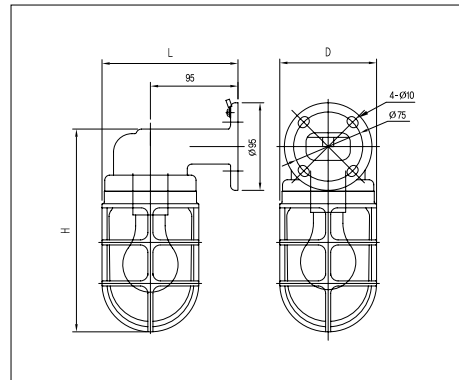
Flange seat



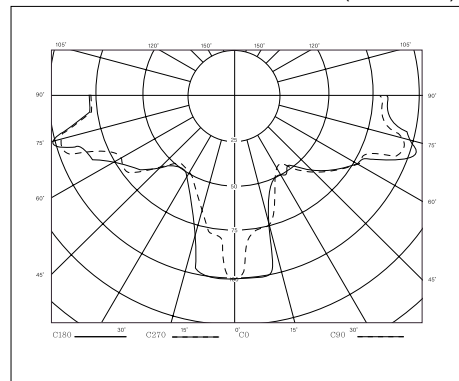
INCANDESCENT LIGHTS / IKN-B



Technical Drawing



Light Distribution Curve (cd/1,000lm)



Model no. and Dimensions

Model no.	Capacity	Volt	L	D	H	Weight (kg)	Remark
			(mm)				
IKN-20WG-B	20W	220	153	105	233	1.66	Guard
IKN-40WG-B	40W	220	153	105	233	1.66	Guard
IKN-60WG-B	60W	220	153	105	233	1.66	Guard
IKN-00WG-B	100W	220	153	105	233	1.66	Guard
IKN-20WU-B	20W	220	153	105	233	1.66	Guard&screen
IKN-40WU-B	40W	220	153	105	233	1.66	Guard&screen
IKN-60WU-B	60W	220	153	105	233	1.66	Guard&screen
IKN-00WU-B	100W	220	153	105	233	1.66	Guard&screen
IKN-05WG-B	5W	DC24V	153	105	191	1.2	Guard
IKN-10WG-B	10W	DC24V	153	105	191	1.2	Guard
IKN-20WG-B	20W	DC24V	153	105	191	1.2	Guard

Application

Engine room, workshops, stores
Holds, passage ways, etc

Design

According to rules of maritime classification societies, additional JIS (Japanese Industrial Standards)

Features

Watertight multipurpose lighting fixtures
Surface

Protection degree : IP56

Materials

Housing : Cast brass
Globe : Hard glass (clear)(S90)
Guard : Cast brass

Finish

Body : Natural
Guard : Natural

Specification

Light sources : Incandescent lamp
20/40/60/100W
Lamp base : E27, B15(DC24V)
Cable entry : Bulkhead to directly connected with the flange
Mounting : 4 mounting holes, dia.10mm
Voltage and frequency : AC220V are standard
Others on request

Optional

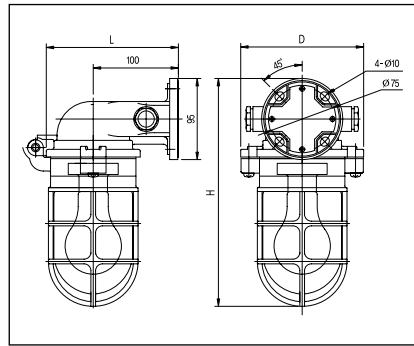
Screen : Stainless steel
Flange seat



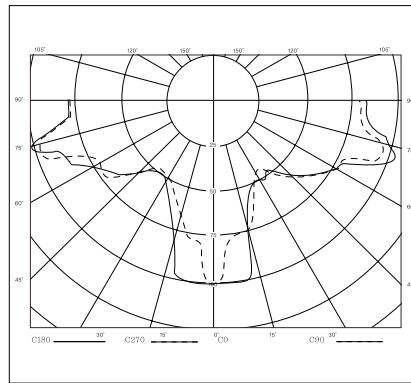
INCANDESCENT LIGHTS / IBH-P



Technical Drawing



Light Distribution Curve (cd/1,000lm)



Model no. and Dimensions

Model no.	Capacity	Volt	L	D	H	Weight (kg)	Remark
IBH-20WG-P	20W	220	155	144	267	1.24	Guard
IBH-40WG-P	40W	220	155	144	267	1.24	Guard
IBH-60WG-P	60W	220	155	144	267	1.24	Guard
IBH-00WG-P	100W	220	155	144	267	1.24	Guard
IBH-20WU-P	20W	220	155	144	267	1.24	Guard & screen
IBH-40WU-P	40W	220	155	144	267	1.24	Guard & screen
IBH-60WU-P	60W	220	155	144	267	1.24	Guard & screen
IBH-00WU-P	100W	220	155	144	267	1.24	Guard & screen
IBH-05WG-P	5W	DC24V	155	144	215	0.9	Guard
IBH-10WG-P	10W	DC24V	155	144	215	0.9	Guard
IBH-20WG-P	20W	DC24V	155	144	215	0.9	Guard

Application

Engine room, workshops, stores
Holds, passage ways, etc

Design

According to rules of maritime classification societies, additional IEC

Features

Watertight multipurpose lighting fixtures
Surface

The body structure is hinged on the cable connection and maintenance is very easy.
Protection degree : IP56

Materials

Housing : Polycarbonate
Globe : Hard glass (clear)(S90)
Guard : Polycarbonate

Finish

Body : Blue green (Munsell No.7.5BG7/2)
Guard : Clear

Specification

Light sources : Incandescent lamp
20/40/60/100W
Lamp base : E27, B15(DC24V)
Cable entry : Two(2) cable glands M24x1.5
(Max.diameter 17mm cable)
Mounting : Four(4) mounting holes, dia.10mm
Voltage and frequency : AC220V 60Hz are standard
Others on request

Optional

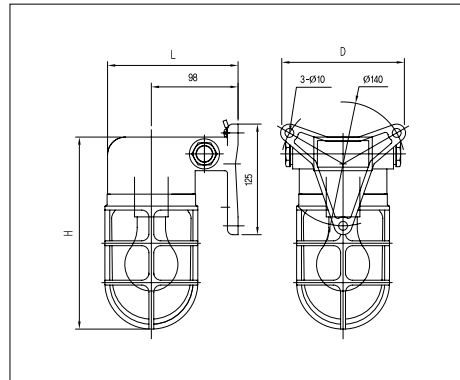
Guard : Cast brass
Screen : Stainless steel



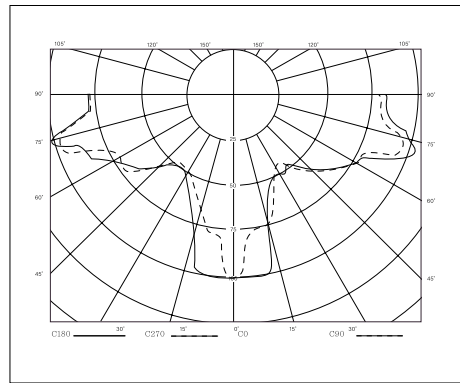
INCANDESCENT LIGHTS / IBN-B



Technical Drawing



Light Distribution Curve (cd/1,000lm)



Model no. and Dimensions

Model no.	Watt	Volt	L	D	H	Weight (kg)	Remark
			(mm)				
IBN-20WG-B	20W	220	151	142	220	1.66	Guard
IBN-40WG-B	40W	220	151	142	220	1.66	Guard
IBN-60WG-B	60W	220	151	142	220	1.66	Guard
IBN-00WG-B	100W	220	151	142	220	1.66	Guard
IBN-20WU-B	20W	220	151	142	220	1.66	Guard&screen
IBN-40WU-B	40W	220	151	142	220	1.66	Guard&screen
IBN-60WU-B	60W	220	151	142	220	1.66	Guard&screen
IBN-00WU-B	100W	220	151	142	220	1.66	Guard&screen
IBN-05WG-B	5W	DC24V	151	142	178	1.2	Guard
IBN-10WG-B	10W	DC24V	151	142	178	1.2	Guard
IBN-20WG-B	20W	DC24V	151	142	178	1.2	Guard

Application

Engine room, workshops, stores
Holds, passage ways, etc

Design

According to rules of maritime classification societies, additional JIS (Japanese Industrial Standards)

Features

Watertight multipurpose lighting fixtures
Surface
Protection degree : IP56

Materials

Housing : Cast brass
Globe : Hard glass (clear)(S90)
Guard : Cast brass

Finish

Body : Natural
Guard : Natural

Specification

Light sources : Incandescent lamp
20/40/60/100W
Lamp base : E27, B15(DC24V)
Cable entry : Two(2) cable glands M24x1.5
(Max.diameter 17mm cable)
Mounting : 3 mounting holes, dia.10mm
Voltage and frequency : AC220V are standard
Others on request

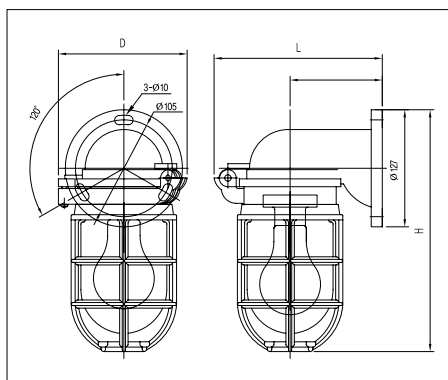
Optional

Screen : Stainless steel

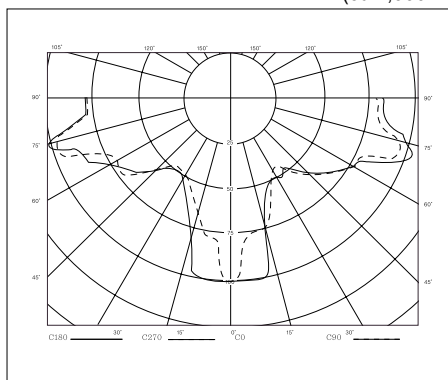




Technical Drawing



Light Distribution Curve (cd/1,000lm)



Model no. and Dimensions

Model no.	Capacity	Volt	L	D	H	Weight (kg)	Remark
			(mm)				
IKHN-20WG-P	20W	220	155	144	262	1.24	Guard
IKHN-40WG-P	40W	220	155	144	262	1.24	Guard
IKHN-60WG-P	60W	220	155	144	262	1.24	Guard
IKHN-00WG-P	100W	220	155	144	262	1.24	Guard
IKHN-20WU-P	20W	220	155	144	262	1.24	Guard&screen
IKHN-40WU-P	40W	220	155	144	262	1.24	Guard&screen
IKHN-60WU-P	60W	220	155	144	262	1.24	Guard&screen
IKHN-00WU-P	100W	220	155	144	262	1.24	Guard&screen
IKHN-05WG-P	5W	DC24V	155	144	220	0.9	Guard
IKHN-10WG-P	10W	DC24V	155	144	220	0.9	Guard
IKHN-20WG-P	20W	DC24V	155	144	220	0.9	Guard

Application

Engine room, workshops, stores
Holds, passage ways, etc

Design

According to rules of maritime classification societies, additional NEW JIS

Features

Watertight multipurpose lighting fixtures
Surface

The body structure is hinged on the cable connection and maintenance is very easy.
Protection degree : IP56

Materials

Housing : PBT (Poly Butylene Terephthalate)
Globe : Hard glass (clear)(S90)
Guard : Polycarbonate

Finish

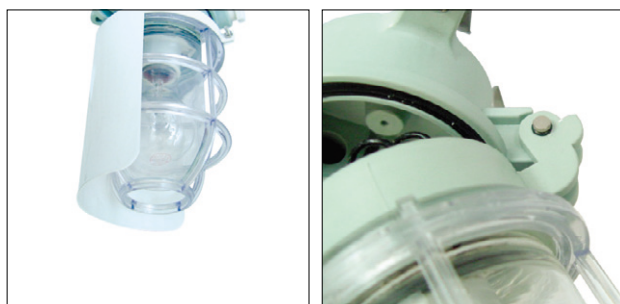
Body : Blue green (Munsell No.7.5BG7/2)
Guard : Clear

Specification

Light sources : Incandescent lamp
20/40/60W
Lamp base : E27, B15(DC24V)
Cable entry : Bulkhead to directly connected with the flange
Mounting : 3 mounting holes, dia.10mm
Voltage and frequency : AC220V are standard
Others on request

Optional

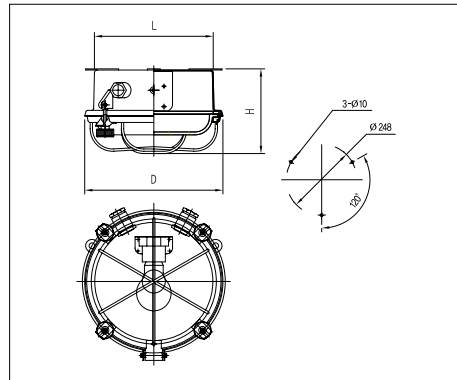
Flange seat



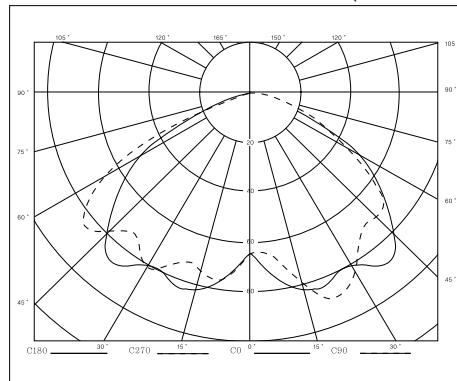
INCANDESCENT LIGHTS / IM



Technical Drawing



Light Distribution Curve (cd/1,000lm)



Model no. and Dimensions

Model no.	Capacity	Volt	L	D	H	Weight (kg)	Remark
			(mm)				
IM-60WG-U	60W	220	Φ206	Φ240	145	3.1	
IM-00WG-U	100W	220	Φ206	Φ240	145	3.1	

Application

Refrigerated Hold, Work shops

Design

According to rules of maritime classification societies, additional IEC

Features

Watertight multipurpose lighting fixtures
Surface
Protection degree : IP56

Materials

Housing : Zinc coated steel sheet spinning, seamless
Globe : Hard glass (clear)
Guard : Stainless steel

Finish

Powder coated white N-9.3 and
enamelled up to 70~80μm thickness

Specification

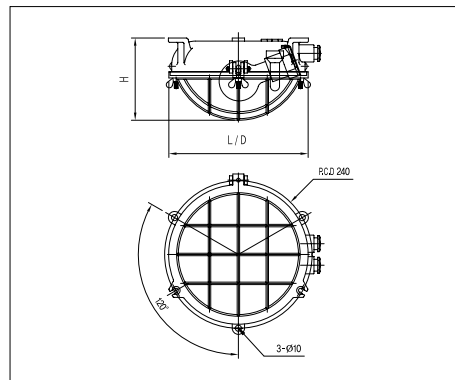
Light sources : Incandescent lamp
60/100W
Lamp base : E27
Cable entry : Two(2) cable glands M24x1.5
(Max.diameter 17mm cable)
Mounting : 3 mounting holes, dia.10mm
Voltage and frequency : AC220V are standard
Others on request



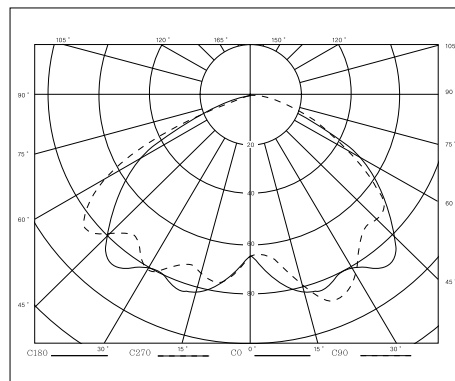
INCANDESCENT LIGHTS / IW



Technical Drawing



Light Distribution Curve (cd/1,000lm)



Model no. and Dimensions

Model no.	Capacity	Volt	L	D	H	Weight (kg)	Remark
			(mm)				
IW-40WG	40W	220	Ø227	Ø227	134	0.54	
IW-60WG	60W	220	Ø227	Ø227	134	0.54	
IW-100WG	100W	220	Ø227	Ø227	134	0.54	

Application

Work shop, Passage way.

Design

According to rules of maritime classification societies, additional IEC

Features

Protection degree : IP56

Materials :

Body : Poly Carbonate

Globe : Poly Carbonate

Finish

Body : Blue green(Munsell No. 7.5BG7/2)

and stove enamelled(Munseil No. N-9.3)

Specification

Incandescent lamp : 40/60/100W

Lamp base : E26/27

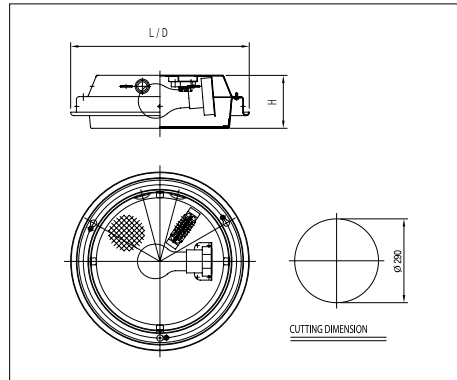
Cable entry : Two(2) cable glands M24x1.5
(Max.diameter 17mm cable)



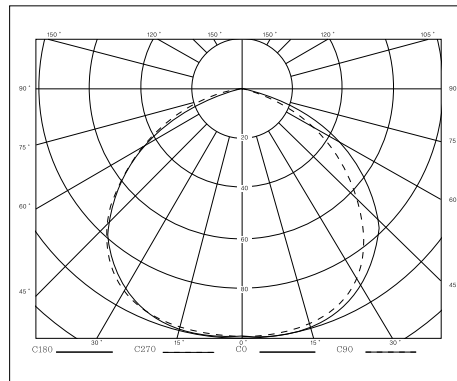
INCANDESCENT LIGHTS / ICF



Technical Drawing



Light Distribution Curve (cd/1,000lm)



Model no. and Dimensions

Model no.	Capacity	Volt	L	D	H	Weight (kg)	Remark
			(mm)				
ICF-40N	40W	220	φ310	φ310	92	0.54	
ICF-60N	60W	220	φ310	φ310	92	0.54	
ICF-00N	100W	220	φ310	φ310	92	0.54	
ICF-10N-9	10W	DC24V	φ160	φ160	55	0.32	
ICF-20N-9	20W	DC24V	φ160	φ160	55	0.32	

Application

Accommodation area, lounge, public areas, etc.

Design

According to rules of maritime classification societies, additional IEC

Features

Protection degree : IP22
Flush type

Materials

Housing : Electrolytic Galvanized Iron steel sheet deep drawn
Dissuser : Flat glass

Finish

Powder coated white N-9.3
and enamelled up to 70~80μm thickness

Specification

Light sources : Incandescent lamp, 40/60/100W

Lamp base : E27, B15

Cable entry : Two(2) cable inlet holes
(Max.diameter 17mm cable)

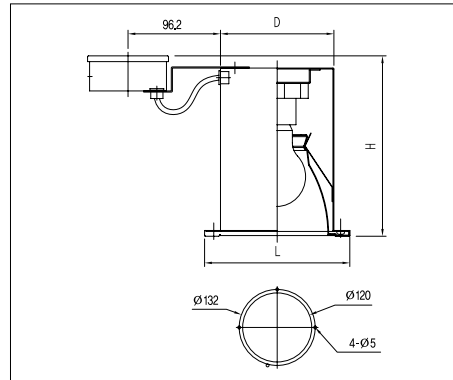
Voltage and frequency : AC220V 60Hz are standard
Others on request



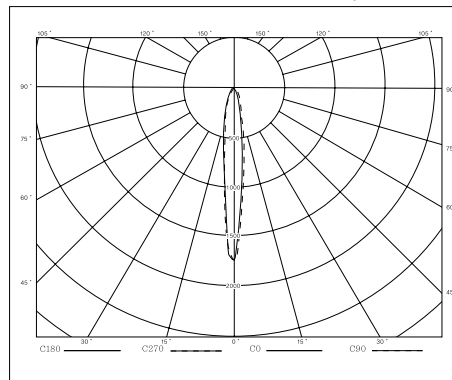
INCANDESCENT LIGHTS / DNFI



Technical Drawing



Light Distribution Curve (cd/1,000lm)



Model no. and Dimensions

Model no.	Capacity	Volt	L	D	H	Weight (kg)	Remark
			(mm)				
DNFI-40	40W	220	Ø152	Ø118	193	0.58	
DNFI-60	60W	220	Ø152	Ø118	193	0.58	
DNFI-40-TB	40W	220	Ø152	Ø118	193	1.08	w/Terminal Block Box
DNFI-60-TB	60W	220	Ø152	Ø118	193	1.08	w/Terminal Block Box
DNFI-40-TB-B15	40W	220	Ø152	Ø118	193	1.08	w/Terminal Block Box
DNFI-60-TB-B15	60W	220	Ø152	Ø118	193	1.08	w/Terminal Block Box
DNFH-35	35W	220	Ø152	Ø118	193	0.58	
DNFH-50	50W	220	Ø152	Ø118	193	0.58	

Application

Accommodation area, lounge, public areas, etc.

Design

According to rules of maritime classification societies

Features

Easy installation and maintenance
 Flush
 Brightness control by simplest dimmer
 Protection degree : IP20

Materials

Housing : Electrolytic Galvanized Iron steel sheet spinning, seamless
 Cover flame : Electrolytic Galvanized Iron steel sheet spinning, seamless
 Reslector : Silver plate

Finish

Housing : Powder coated white N-9.3 and enamelled up to 70~80µm thickness
 Cover flame = Golden plated / Silver plated

Specification

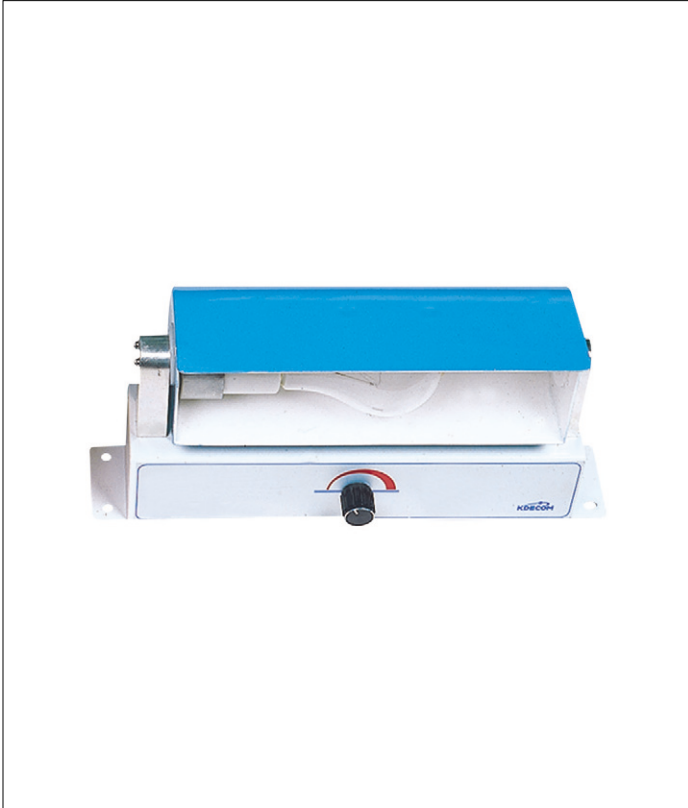
Light sources : Incandescent lamp, 40/60W
 Halogen lamp, 35W, 50W
 Lamp base : E27
 Cable entry : Two(2) cable inlet holes (Max diameter 17mm cable)
 Mounting : 4 mounting holes, dia.5mm
 Voltage and frequency : AC220V 60Hz are standard
 Others on request

Optional

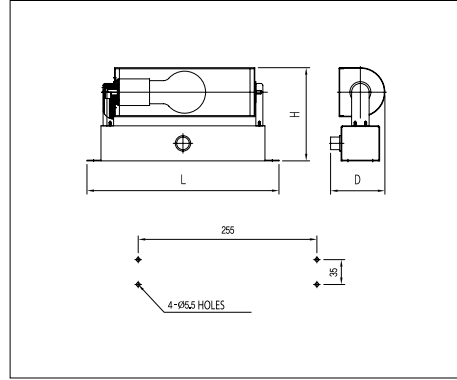
Cover flame : Golden plate
 Red Bulb
 With Terminal block box
 With Screen
 With Dimmer switch
 B15 Fire Class



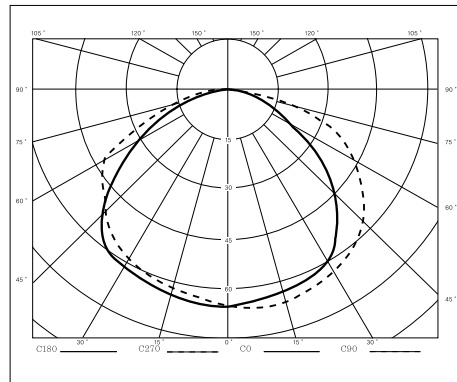
FOLDING TABLE LIGHTS / IFW



Technical Drawing



Light Distribution Curve (cd/1,000lm)



Model no. and Dimensions

Model no.	Capacity	Volt	L	D	H	Weight (kg)	Remark
			(mm)				
IFW-20	20W	220	274	77.5	133	1.0	
IFW-40	40W	220	274	77.5	133	1.0	
IFW-60	60W	220	274	77.5	133	1.0	
IFW-20-9	20W	DC24V	274	77.5	133	1.0	
IFW-40-9	40W	DC24V	274	77.5	133	1.0	
IFW-60-9	60W	DC24V	274	77.5	133	1.0	

Application

Accommodation area, Wheel house etc

Design

According to rules of maritime classification societies

Features

Folding Table light with adjustable reflector

Surface

With Dimmer switch

Protection degree : IP20

Materials

Housing : Electrolytic Galvanized Iron steel sheet

Reflector : Electrolytic Galvanized Iron steel sheet

Finish

Powder coated white N-9.3 and

enamelled up to 70~80 μ m thickness

Specification

Light sources : Incandescent lamp, 20/40/60W

Lamp base : E27

Cable entry : Two(2) cable inlet holes

(Max.diameter 17mm cable)

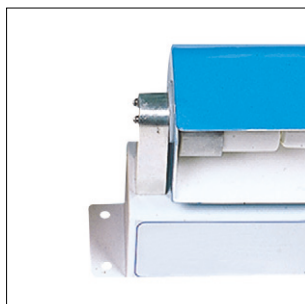
Mounting : 4 mounting holes, dia.5mm

Voltage and frequency : AC220V 60Hz are standard

Others on request

Optional

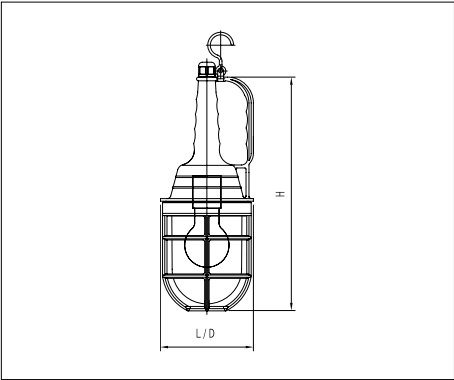
Red Bulb



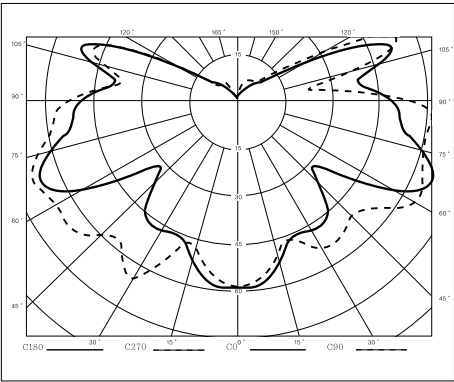
PORTABLE HAND LAMP / IH



Technical Drawing



Light Distribution Curve (cd/1,000lm)



Model no. and Dimensions

Model no.	Capacity	Volt	L	D	H	Weight (kg)	Remark
			(mm)				
IH-40	40W	220	∅126	∅126	330	1.05	
IH-60	60W	220	∅126	∅126	330	1.05	

Application

Engine rooms and work shop etc.

Design

According to rules of maritime classification societies

Features

Protection degree : IP56
 Portable type

Materials

Housing : Polycarbonate
 Globe : Hard glass

Finish

Body : Blue green (Munsell No.7.5BG7/2)
 Guard : Clear

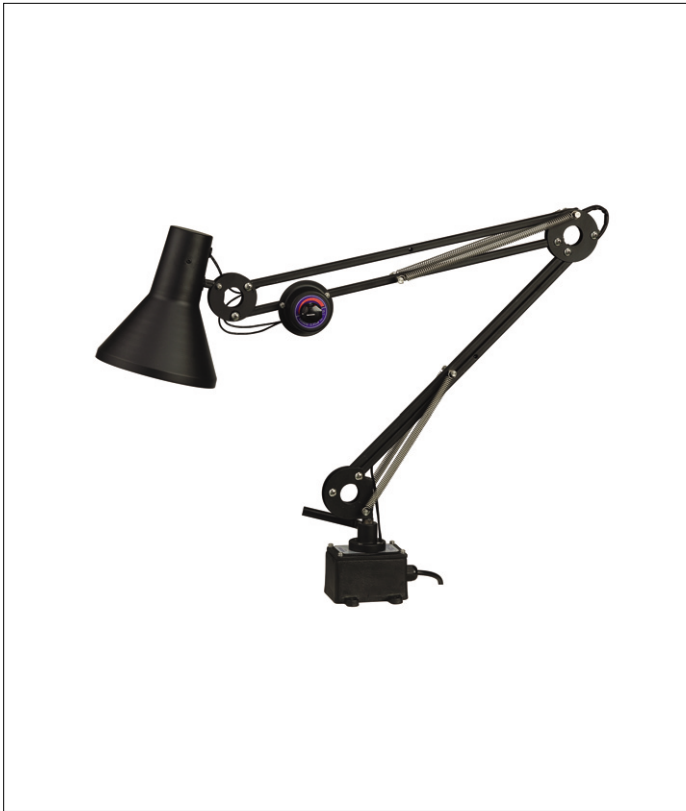
Specification

Light sources : Incandescent lamp, 40/60W
 Lamp base : E27
 Cable entry : One(1) cable gland, PG11
 (Max.diameter 11mm cable)
 Voltage and frequency : AC220V are standard
 Others on request

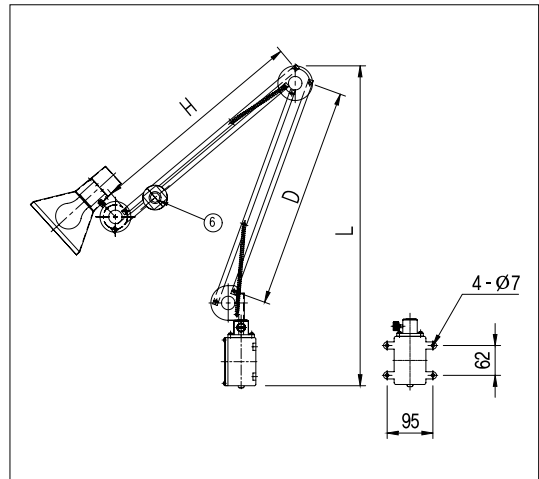
Optional

With 10M Cable and N.W.T plug DIN(2P+1E)
 With 15M Cable and W.T plug DIN(2P+1E)

CHART TABLE LIGHTS / ITS



Technical Drawing



Model no. and Dimensions

Model no.	Capacity	Volt	L	D	H	Weight (kg)	Remark
			(mm)				
ITS-40	40W	220	635	460	460	1.5	Stand type
ITS-60	60W	220	635	460	460	1.5	Stand type
ITW-40	40W	220	670	460	460	1.5	Wall mount
ITW-60	60W	220	670	460	460	1.5	Wall mount

Application

Wheelhouse etc.

Design

According to rules of maritime classification societies

Features

W/Dimmer switch
Wall mounted, stand type
Protection degree : IP20

Materials

Housing : Aluminium sheet spinning,seamless
Arm : Steel rectangle pipe
Terminal block box : Cast aluminium

Finish

Powder coated Black N-9.3
and enamelled up to 70~80µm thickness

Specification

Light sources : Incandescent lamp, 40/60W
Lamp base : E27
Cable entry : One(1) cable inlet holes
(Max.diameter 20mm cable)
Mounting : 4 mounting holes, dia.7mm
Voltage and frequency : AC220V are standard
Others on request

Optional

With 2M Cable and N.W.T plug DIN(2P+1E)
Red Bulb



DECORATIVE LIGHTS



www.kukdongelecom.com