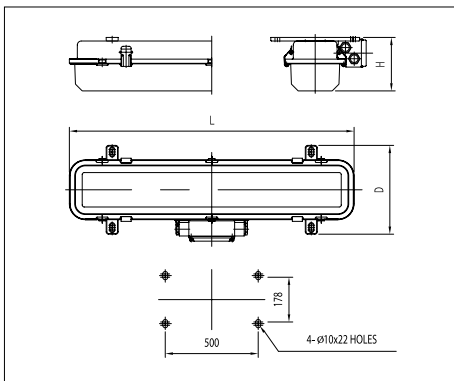


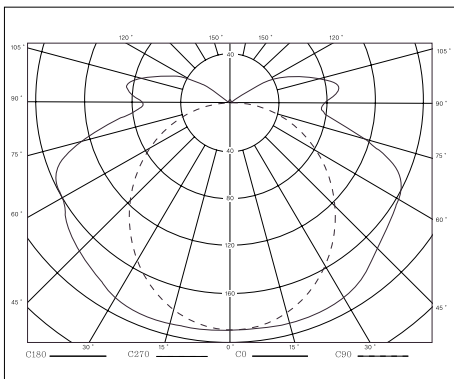
# FLUORESCENT LIGHTS / FS-W-S



## Technical Drawing



## Light Distribution Curve



## Model no. and Dimensions

Model no.	Capacity	Volt	Hz	Em'cy Lamp	L	D (mm)	H	Weight (kg)
FS210W-S	1x18W	220	60		715	223	133	3.52
FS215W-S	1x18W	220	60	5W	715	223	133	3.52
FS211W-S	1x18W	220	60	10W	715	223	133	3.52
FS220W-S	2x18W	220	60		715	223	133	4.70
FS225W-S	2x18W	220	60	5W	715	223	133	4.70
FS221W-S	2x18W	220	60	10W	715	223	133	4.70
FS410W-S	1x36W	220	60		1350	223	133	5.22
FS415W-S	1x36W	220	60	5W	1350	223	133	5.22
FS411W-S	1x36W	220	60	10W	1350	223	133	5.22
FS420W-S	2x36W	220	60		1350	223	133	7.03
FS425W-S	2x36W	220	60	5W	1350	223	133	7.03
FS421W-S	2x36W	220	60	10W	1350	223	133	7.03

## Application

Engine room, workshops, stores  
Holds, passage ways, etc

## Design

According to rules of maritime classification societies, additional IEC

## Features

Watertight multipurpose lighting fixtures  
Surface  
Easy connection  
Protection degree : IP56

## Materials

Housing : Electrolytic Galvanized Iron steel sheet deep drawn  
Diffuser : Clear polycarbonate  
Latch : Stainless steel  
Connection Box : PBT(Poly Butylene Terephthalate)

## Finish

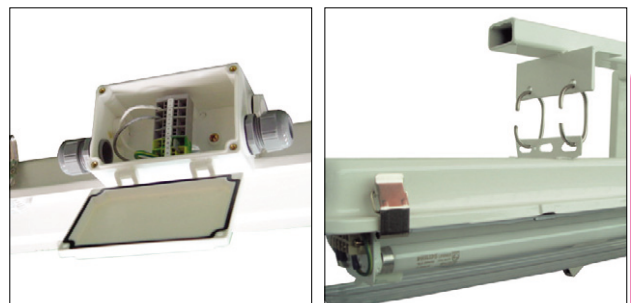
Powder coated white N-9.3  
and enamelled up to 70~80µm thickness

## Specification

Light sources : Fluorescent lamp  
T26,T38, 18/20W, 36/40W  
Lamp base : G13  
Cable entry : Four(4) cable glands M24x1.5  
(Max.diameter 17mm cable)  
Mounting : 4 mounting holes, dia.10mm  
Voltage and frequency : Ballasts for AC220V 60Hz  
are standard others on request

## Optional

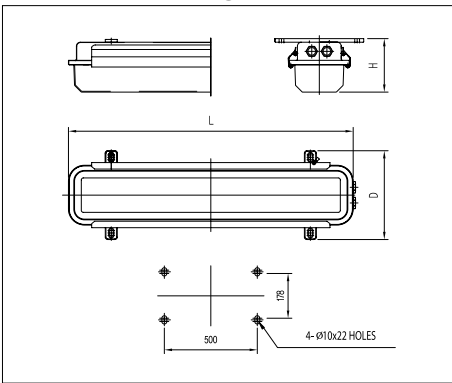
Battery back up to 180 min  
Electronic start  
Dimming control system



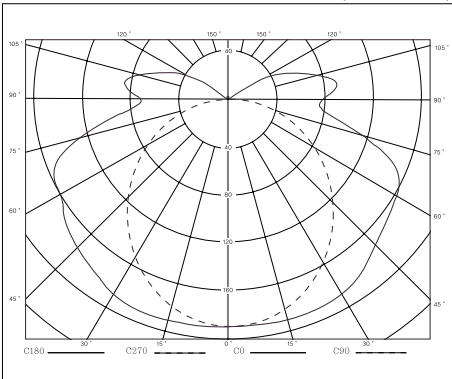
# FLUORESCENT LIGHTS / FS-W-U



## Technical Drawing



## Light Distribution Curve (cd/1,000lm)



## Model no. and Dimensions

Model no.	Capacity	Volt	Hz	Em'cy Lamp	L	D (mm)	H	Weight (kg)
FS210W-U	1x18W	220	60		715	223	133	3.35
FS215W-U	1x18W	220	60	5W	715	223	133	3.35
FS211W-U	1x18W	220	60	10W	715	223	133	3.35
FS220W-U	2x18W	220	60		715	223	133	4.75
FS225W-U	2x18W	220	60	5W	715	223	133	4.75
FS221W-U	2x18W	220	60	10W	715	223	133	4.75
FS410W-U	1x36W	220	60		1350	223	133	5.25
FS415W-U	1x36W	220	60	5W	1350	223	133	5.25
FS411W-U	1x36W	220	60	10W	1350	223	133	5.25
FS420W-U	2x36W	220	60		1350	223	133	6.06
FS425W-U	2x36W	220	60	5W	1350	223	133	6.06
FS421W-U	2x36W	220	60	10W	1350	223	133	6.06

## Application

Engine room, workshops, stores  
Holds, passage ways, etc

## Design

According to rules of maritime classification societies, additional IEC

## Features

Watertight multipurpose lighting fixtures  
Surface  
Protection degree : IP68

## Materials

Housing : Stainless steel sheet deep drawn  
Diffuser : Clear polycarbonate  
Latch : Stainless steel

## Finish

Powder coated white N-9.3  
and enamelled up to 70~80 $\mu$ m thickness

## Specification

Light sources : Fluorescent lamp  
T26,T38, 18/20W, 36/40W  
Lamp base : G13  
Cable entry : Two(2) cable glands M24x1.5  
(Max.diameter 17mm cable)  
Mounting : 4 mounting holes, dia.10mm  
Voltage and frequency : Ballasts for AC220V 60Hz  
are standard others on request

## Optional

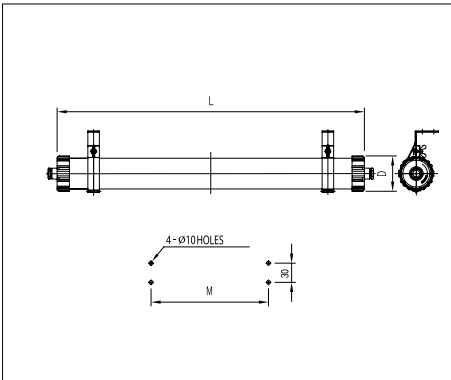
Four(4) cable glands M24x1.5  
Battery back up to 180 min  
Electronic start  
Dimming control system  
Protection degree : IP67  
ICE Class Type (-25 $^{\circ}$  C ~ +45 $^{\circ}$  C)  
(-30 $^{\circ}$  C ~ +45 $^{\circ}$  C)



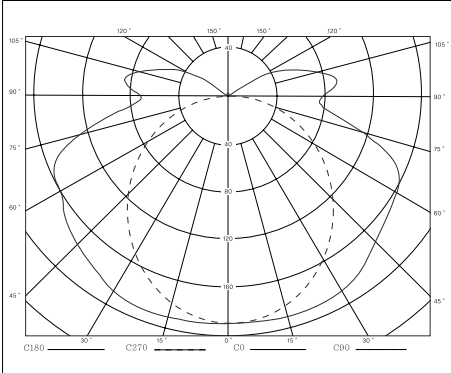
# FLUORESCENT LIGHTS / FY - W



## Technical Drawing



## Light Distribution Curve (cd/1,000lm)



## Model no. and Dimensions

Model no.	Capacity	Volt	Hz	L	D (mm)	M	Weight (kg)
FY210W	1x18W	220	60	1080	Ø92	890	3.7
FY410W	1x36W	220	60	1690	Ø92	1500	5.0

## Application

Decks

## Design

According to rules of maritime classification societies, additional IEC

## Features

Watertight multipurpose lighting fixtures

Surface

Protection degree : IP67

## Materials

Housing : Cast aluminium

Diffuser : Clear polycarbonate

## Finish

Powder coated white N-9.3

and enamelled up to 70~80µm thickness

## Specification

Light sources : Fluorescent lamp

T26,T38, 18/20W, 36/40W

Lamp base : G13

Cable entry : Two(2) cable glands M24x1.5

(Max.diameter 17mm cable)

Mounting : 2 mounting holes, dia.10mm

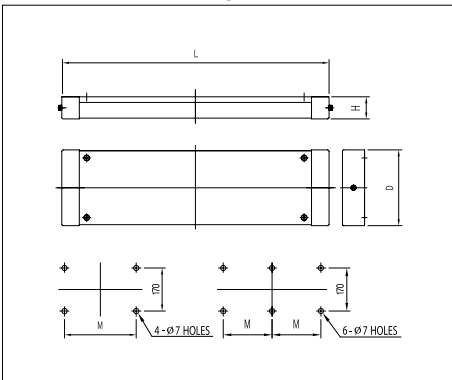
Voltage and frequency : Ballasts for AC220V 60Hz are standard others on request



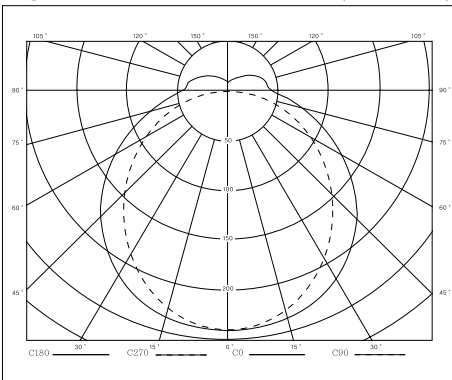
# FLUORESCENT LIGHTS / FS - N



## Technical Drawing



## Light Distribution Curve (cd/1,000lm)



## Model no. and Dimensions

Model no.	Capacity	Volt	Hz	Em'cy Lamp	L	D	H	M	Weight (kg)
FS210N	1x18W	220	60		762	216	63	620	3.65
FS215N	1x18W	220	60	5W	762	216	63	620	3.65
FS211N	1x18W	220	60	10W	762	216	63	620	3.65
FS220N	2x18W	220	60		762	216	63	620	3.90
FS225N	2x18W	220	60	5W	762	216	63	620	3.90
FS221N	2x18W	220	60	10W	762	216	63	620	3.90
FS410N	1x36W	220	60		1250	216	63	860	6.90
FS415N	1x36W	220	60	5W	1250	216	63	860	6.90
FS411N	1x36W	220	60	10W	1250	216	63	860	6.90
FS420N	2x36W	220	60		1250	216	63	860	7.20
FS425N	2x36W	220	60	5W	1250	216	63	860	7.20
FS421N	2x36W	220	60	10W	1250	216	63	860	7.20

## Application

Accommodation areas, passage ways

## Design

According to rules of maritime classification societies, additional IEC

## Features

Protection degree : IP22

## Materials

Housing : Electrolytic Galvanized Iron steel sheet deep drawn  
Diffuser : Opal acrylic, others on request

## Finish

Powder coated white N-9.3  
and enamelled up to 70~80 $\mu$ m thickness

## Specification

Light sources : Fluorescent lamp

T26,T38, 18/20W, 36/40W

Lamp base : G13

Cable entry : cable inlet hole(50mm x 80mm)

Mounting : 4 mounting holes, dia.7mm

Voltage and frequency : Ballasts for AC220V 60Hz  
are standard others on request

## Optional

Battery back up to 180 min

Electronic start

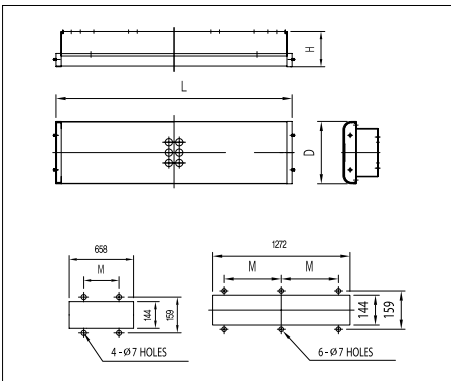
Dimming control system



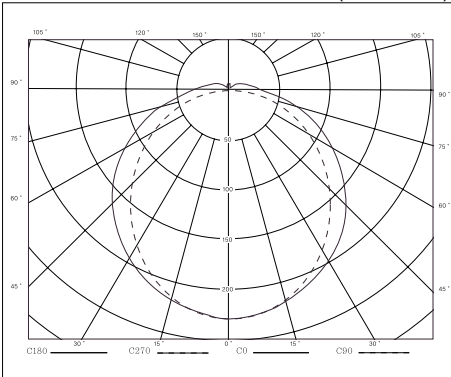
# FLUORESCENT LIGHTS / FF - N



## Technical Drawing



## Light Distribution Curve (cd/1,000lm)



## Model no. and Dimensions

Model no.	Capacity	Volt	Hz	Em'cy Lamp	L	D	H	M	Weight (kg)
FF210N	1x18W	220	60		684	181	102	480	3.8
FF215N	1x18W	220	60	5W	684	181	102	480	3.8
FF211N	1x18W	220	60	10W	684	181	102	480	3.8
FF220N	2x18W	220	60		684	181	102	480	4.21
FF225N	2x18W	220	60	5W	684	181	102	480	4.21
FF221N	2x18W	220	60	10W	684	181	102	480	4.21
FF410N	1x36W	220	60		1294	181	102	547	5.79
FF415N	1x36W	220	60	5W	1294	181	102	547	5.79
FF411N	1x36W	220	60	10W	1294	181	102	547	5.79
FF420N	2x36W	220	60		1294	181	102	547	7.23
FF425N	2x36W	220	60	5W	1294	181	102	547	7.23
FF421N	2x36W	220	60	10W	1294	181	102	547	7.23
FF220N-B15	2x18W	220	60		684	181	102	480	10.4
FF420N-B15	2x36W	220	60		1294	181	102	547	17.4

## Application

Accommodation areas, passage ways

## Design

According to rules of maritime classification societies, additional IEC

## Features

Protection degree : IP22

## Materials

Housing : Electrolytic Galvanized Iron steel sheet deep drawn  
Diffuser : Opal acrylic, others on request

## Finish

Powder coated white N-9.3  
and enamelled up to 70~80 $\mu$ m thickness

## Specification

Light sources : Fluorescent lamp

T26,T38, 18/20W, 36/40W

Lamp base : G13

Cable entry : Six(6) snap bushing

(Max.diameter 18mm cable)

Mounting : Recessed in ceiling

Voltage and frequency : Ballasts for AC220V 60Hz  
are standard others on request

## Optional

Battery back up to 180 min

Electronic start

Dimming control system

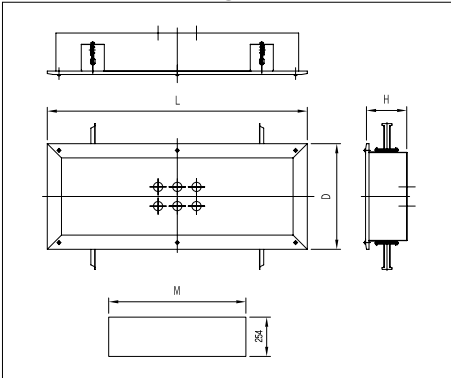
B15 Fire class



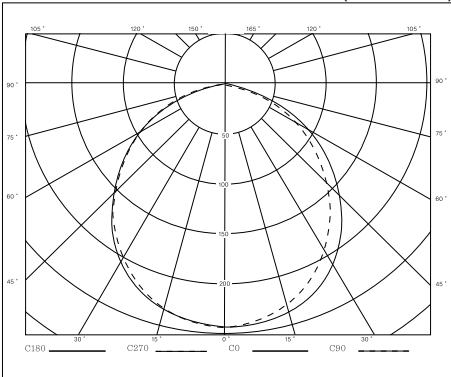
# FLUORESCENT LIGHTS / FW-N



## Technical Drawing



## Light Distribution Curve (cd/1,000lm)



## Model no. and Dimensions

Model no.	Capacity	Volt	Hz	Em'cy Lamp	L	D	H	M	Weight (kg)
FW210N	1x18W	220	60		677	275	110.8	636	7.6
FW215N	1x18W	220	60	5W	677	275	110.8	636	7.6
FW211N	1x18W	220	60	10W	677	275	110.8	636	7.6
FW220N	2x18W	220	60		677	275	110.8	636	7.6
FW225N	2x18W	220	60	5W	677	275	110.8	636	7.6
FW221N	2x18W	220	60	10W	677	275	110.8	636	7.6
FW410N	1x36W	220	60		1270	275	110.8	1246	12.7
FW415N	1x36W	220	60	5W	1270	275	110.8	1246	12.7
FW411N	1x36W	220	60	10W	1270	275	110.8	1246	12.7
FW420N	2x36W	220	60		1270	275	110.8	1246	12.7
FW425N	2x36W	220	60	5W	1270	275	110.8	1246	12.7
FW421N	2x36W	220	60	10W	1270	275	110.8	1246	12.7
FW220N-B15	2x18W	220	60		677	275	110.8	636	10.4
FW420N-B15	2x36W	220	60		1270	275	110.8	1246	17.4

## Application

Accommodation areas, passage ways

## Design

According to rules of maritime classification societies, additional IEC

## Features :

Installed flush with the surface in no gap continuously ceiling systems

Protection degree : IP22

## Materials :

Housing : Electrolytic Galvanized Iron steel sheet deep drawn  
Diffuser : Opal acrylic, others on request

## Finish :

Powder coated white N-9.3  
and enamelled up to 70~80 $\mu$ m thickness

## Specification :

Light sources : Fluorescent lamp

T26,T38, 18/20W, 36/40W

Lamp base : G13

Cable entry : Six(6) snap bushing

(Max.diameter 18mm cable)

Mounting : Recessed in no gap ceiling

Voltage and frequency : Ballasts for AC220V 60Hz  
are standard others on request

## Optional :

Battery back up to 180 min

Electronic start

Dimming control system

With louver

B15 Fire class

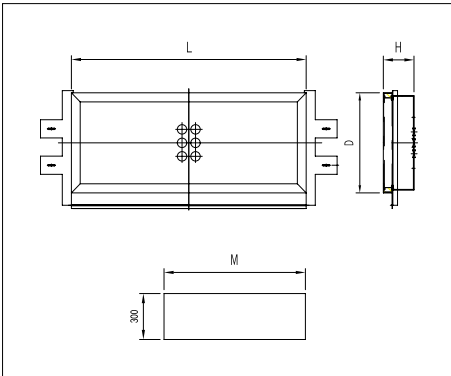
Protection degree : IP44



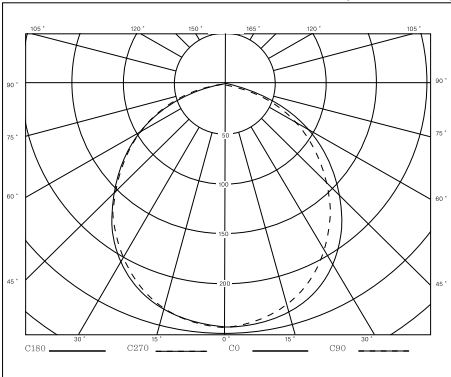
# FLUORESCENT LIGHTS / FC-N



## Technical Drawing



## Light Distribution Curve (cd/1,000lm)



## Model no. and Dimensions

Model no.	Capacity	Volt	Hz	Em'cy Lamp	L	D	H	M	Weight (kg)
FC210N	1x18W	220	60		645	275	84.2	647	5.53
FC215N	1x18W	220	60	5W	645	275	84.2	647	5.53
FC211N	1x18W	220	60	10W	645	275	84.2	647	5.53
FC220N	2x18W	220	60		645	275	84.2	647	5.75
FC225N	2x18W	220	60	5W	645	275	84.2	647	5.75
FC221N	2x18W	220	60	10W	645	275	84.2	647	5.75
FC410N	1x36W	220	60		1270	275	84.2	1272	7.63
FC415N	1x36W	220	60	5W	1270	275	84.2	1272	7.63
FC411N	1x36W	220	60	10W	1270	275	84.2	1272	7.63
FC420N	2x36W	220	60		1270	275	84.2	1272	8.80
FC425N	2x36W	220	60	5W	1270	275	84.2	1272	8.80
FC421N	2x36W	220	60	10W	1270	275	84.2	1272	8.80
FC220N-B15	2x18W	220	60		695	275	85	667	10.6
FC420N-B15	2x36W	220	60		1320	275	85	1292	17.4

## Application

Accommodation areas, passage ways

## Design

According to rules of maritime classification societies, additional IEC

## Features

Installed flush with the surface in gap continuously ceiling systems

Protection degree : IP22

## Materials

Housing : Electrolytic Galvanized Iron steel sheet deep drawn

Diffuser : Opal acrylic, others on request

## Finish

Powder coated white N-9.3

and enamelled up to 70~80 $\mu$ m thickness

## Specification

Light sources : Fluorescent lamp

T26,T38, 18/20W, 36/40W

Lamp base : G13

Cable entry : Six(6) snap bushing

(Max.diameter 18mm cable)

Mounting : Recessed in gap ceiling

Voltage and frequency : Ballasts for AC220V 60Hz

are standard others on request

## Optional

Battery back up to 180 min

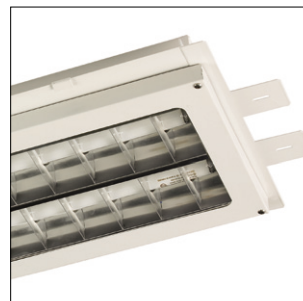
Electronic start

Dimming control system

With louver

B15 Fire class

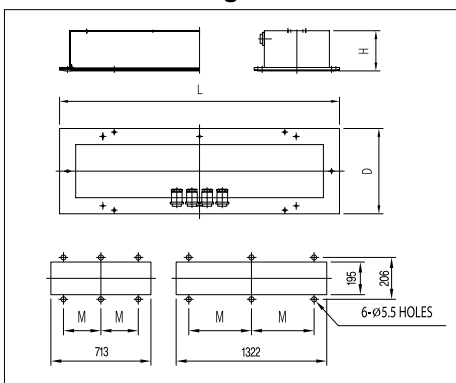
Protection degree : IP44



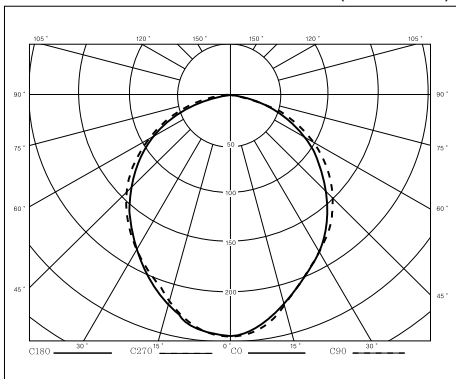
# FLUORESCENT LIGHTS / FF-S



## Technical Drawing



## Light Distribution Curve (cd/1,000lm)



## Model no. and Dimensions

Model no.	Capacity	Volt	Hz	Em'cy Lamp	L	D	H	M	Weight (kg)
FF210S	1x18W	220	60		739	225	105.5		4.53
FF215S	1x18W	220	60	5W	739	225	105.5		4.53
FF211S	1x18W	220	60	10W	739	225	105.5		4.53
FF220S	2x18W	220	60		739	225	105.5		4.95
FF225S	2x18W	220	60	5W	739	225	105.5		4.95
FF221S	2x18W	220	60	10W	739	225	105.5		4.95
FF410S	1x36W	220	60		1349	225	105.5	560	7.2
FF415S	1x36W	220	60	5W	1349	225	105.5	560	7.2
FF411S	1x36W	220	60	10W	1349	225	105.5	560	7.2
FF420S	2x36W	220	60		1349	225	105.5	560	8.73
FF425S	2x36W	220	60	5W	1349	225	105.5	560	8.73
FF421S	2x36W	220	60	10W	1349	225	105.5	560	8.73

## Application

Galley, Laundry, Pantry and Scullery

## Design

According to rules of maritime classification societies, additional IEC

## Features

Protection degree : IP44

## Materials

Housing : Electrolytic Galvanized Iron steel sheet deep drawn

Diffuser : Opal acrylic, others on request

## Finish

Powder coated white N-9.3

and enamelled up to 70~80µm thickness

## Specification

Light sources : Fluorescent lamp

T26, T38, 18/20W, 36/40W

Lamp base : G13

Cable entry : Four(4) Cable glands PG16

(Max.diameter 14mm cable)

Mounting : Recessed in ceiling

Voltage and frequency : Ballasts for AC220V 60Hz are standard others on request

## Optional

Battery back up to 180 min

Electronic start

Dimming control system

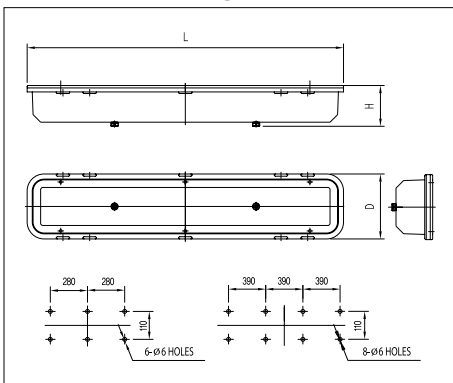




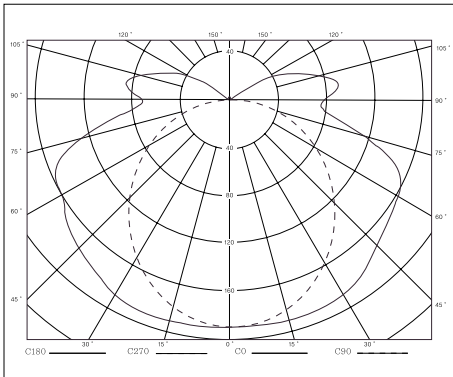
# FLUORESCENT LIGHTS / FS-S



## Technical Drawing



## Light Distribution Curve (cd/1,000lm)



## Model no. and Dimensions

Model no.	Capacity	Volt	Hz	Em'cy Lamp	L	D (mm)	H	Weight (kg)
FS210S	1x18W	220	60		711	146	82.4	4.22
FS215S	1x18W	220	60	5W	711	146	82.4	4.22
FS211S	1x18W	220	60	10W	711	146	82.4	4.22
FS220S	2x18W	220	60		711	146	82.4	4.22
FS225S	2x18W	220	60	5W	711	146	82.4	4.22
FS221S	2x18W	220	60	10W	711	146	82.4	4.22
FS410S	1x36W	220	60		1321	146	82.4	4.22
FS415S	1x36W	220	60	5W	1321	146	82.4	4.22
FS411S	1x36W	220	60	10W	1321	146	82.4	4.22
FS420S	2x36W	220	60		1321	146	82.4	4.22
FS425S	2x36W	220	60	5W	1321	146	82.4	4.22
FS421S	2x36W	220	60	10W	1321	146	82.4	4.22

## Application

Galley, Laundry, Pantry and Scullery

## Design

According to rules of maritime classification societies, additional IEC

## Features

Watertight multipurpose lighting fixtures

Surface

Easy connection

Protection degree : IP44

## Materials

Housing : Electrolytic Galvanized Iron steel sheet deep drawn

Diffuser : Clear polycarbonate

## Finish

Powder coated white N-9.3

and enamelled up to 70~80µm thickness

## Specification

Light sources : Fluorescent lamp

T26, T38, 18/20W, 36/40W

Lamp base : G13

Cable entry : Four(4) Cable inlet Holes

(Max.diameter 17mm cable)

Mounting : 6~8 mounting holes, dia. 6mm

Voltage and frequency : Ballasts for AC220V 60Hz

are standard others on request

## Optional

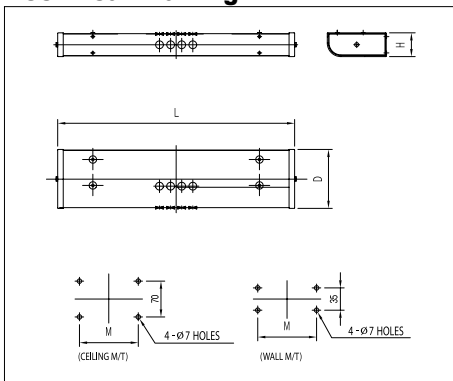
Electronic start



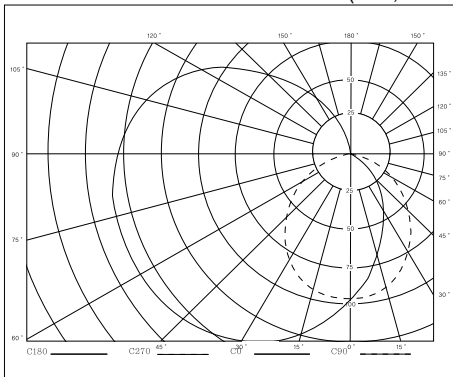
# FLUORESCENT LIGHTS / FP - N



## Technical Drawing



## Light Distribution Curve (cd/1,000lm)



## Model no. and Dimensions

Model no.	Capacity	Volt	Hz	Em'cy Lamp	L	D	H	M	Weight (kg)
FP210N	1x18W	220	60		640	160	65	450	3.77
FP215N	1x18W	220	60	5W	640	160	65	450	3.77
FP211N	1x18W	220	60	10W	640	160	65	450	3.77
FP410N	1x36W	220	60		1250	160	65	860	5.25
FP415N	1x36W	220	60	5W	1250	160	65	860	5.25
FP411N	1x36W	220	60	10W	1250	160	65	860	5.25

## Application

Accommodation areas, passage ways

## Design

According to rules of maritime classification societies, additional IEC

## Features

Protection degree : IP22

## Materials

Housing : Electrolytic Galvanized Iron steel sheet deep drawn  
Diffuser : Opal acrylic, others on request

## Finish

Powder coated white N-9.3  
and enamelled up to 70~80µm thickness

## Specification

Light sources : Fluorescent lamp

T26,T38, 18/20W, 36/40W

Lamp base : G13

Cable entry :

Ceiling : Cable inlet hole, dia. 50mm

Wall : Four(4) Snap bushing(Max. diameter 18mm cable)

Mounting : 4 mounting holes, dia.7mm

Voltage and frequency : Ballasts for AC220V 60Hz  
are standard others on request

## Optional

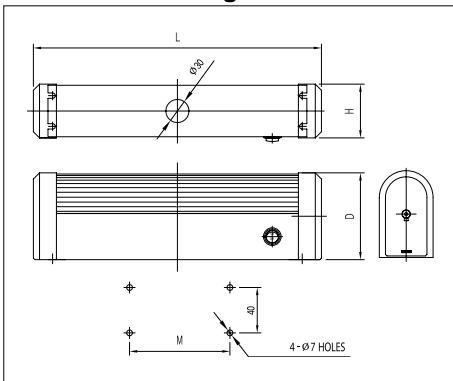
Electronic start



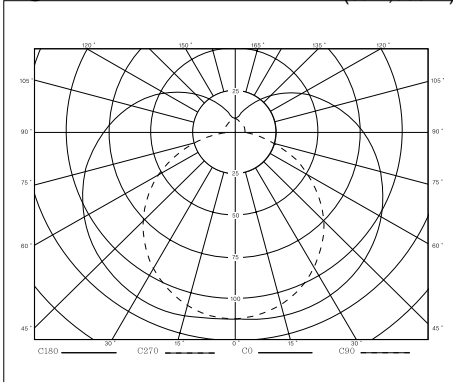
# FLUORESCENT LIGHTS / FB-SN / FD-SN



## Technical Drawing



## Light Distribution Curve (cd/1,000lm)



## Model no. and Dimensions

Model no.	Capacity	Volt	Hz	L	D	H	M	Weight (kg)
FB08SN-C	1x8W	220	60	375	70	113	325	1.3
FB10SN-C	1x10W	220	60	417	70	113	367	1.5
FB15SN-C	1x15W	220	60	524	70	113	474	1.8
FB20SN-C	1x18W	220	60	677	70	113	627	2.0
FD08SN-C	1x8W	220	60	375	70	113	325	1.3
FD10SN-C	1x10W	220	60	417	70	113	367	1.5
FD15SN-C	1x15W	220	60	524	70	113	474	1.8
FD20SN-C	1x18W	220	60	677	70	113	627	2.0

## Application

Accommodation areas, berth, desk

## Design

According to rules of maritime classification societies, additional IEC

## Features

Protection degree : IP22  
with on/off switch

## Materials

Housing : Aluminium  
End cover : Polycarbonate  
Diffuser : Polycarbonate

## Finish

Powder coated white N-9.3  
and enamelled up to 70~80µm thickness

## Specification

Light sources : Fluorescent lamp  
8/10/15/18W  
Lamp base : G5(8W),G13(10W~)  
Cable entry : One(1) inlet for max.dia. 30mm  
Mounting : 4 mounting holes, dia.7mm  
Voltage and frequency : Ballasts for AC220V 60Hz  
are standard others on request

## Optional

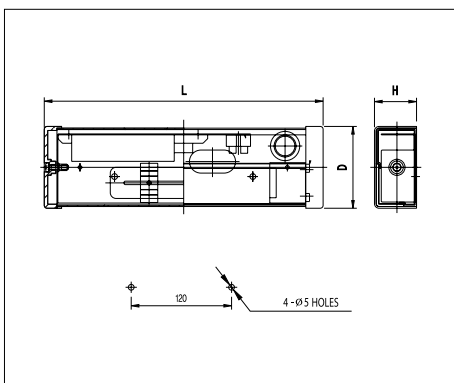
Protection degree : IP44



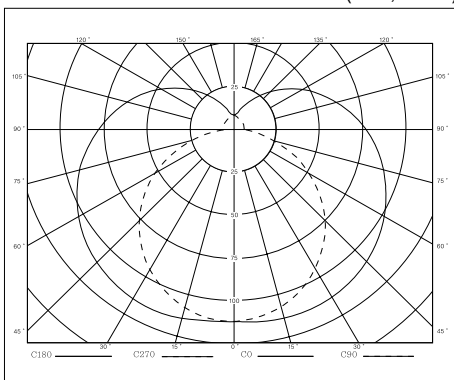
# FLUORESCENT LIGHTS / FB09SN



## Technical Drawing



## Light Distribution Curve (cd/1,000lm)



## Model no. and Dimensions

Model no.	Capacity	Volt	Hz	L	D (mm)	H	Weight (kg)
FB09SN	1x9W	220	60	242	71	36.5	0.66

## Application

Accommodation areas, berth

## Design

According to rules of maritime classification societies, additional IEC

## Features

Protection degree : IP22  
with on/off switch

## Materials

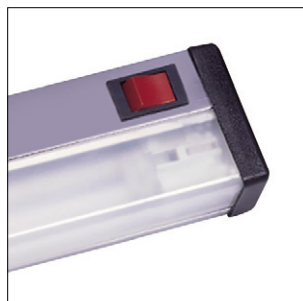
Housing : Aluminium brushed anodized brown  
End cover : Polycarbonate  
Diffuser : Opal acrylic

## Finish

Aluminium brushed anodized brown

## Specification

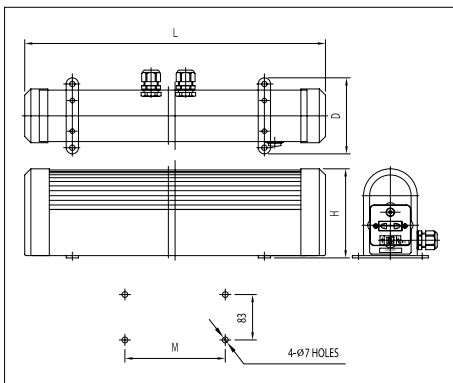
Light sources : Fluorescent lamp 9W  
Lamp base : G23  
Cable entry : Two(2) inlet for max.dia. 14mm  
Mounting : 2 mounting holes, dia.5mm  
Voltage and frequency : Ballasts for AC220V 60Hz are standard others on request



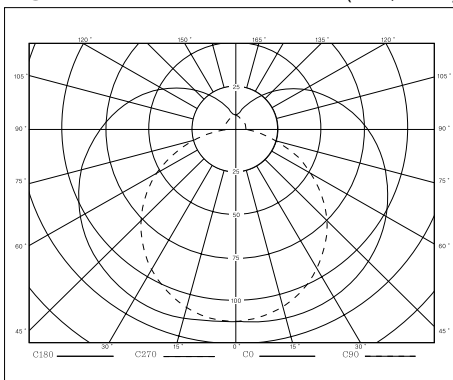
# FLUORESCENT LIGHTS / FM



## Technical Drawing



## Light Distribution Curve (cd/1,000lm)



## Model no. and Dimensions

Model no.	Capacity	Volt	Hz	L	D	H	Weight (kg)	Remark
					(mm)			
FM08SS-C	1x8W	220	60	392	70	113	1.3	
FM10SS-C	1x10W	220	60	434.5	70	113	1.5	
FM15IS-C	1x15W	220	60	542	70	113	2.3	W/ISO.TR & Universocket
FM20IS-C	1x18W	220	60	695	70	113	2.5	W/ISO.TR & Universocket

## Application

Accommodation areas, shower rooms, wash rooms, toilets

## Design

According to rules of maritime classification societies, additional IEC

## Features

Protection degree : IP44  
with ON/OFF switch

## Materials

Housing : Aluminium  
End cover : Polycarbonate  
Diffuser : Polycarbonate

## Finish

Powder coated white N-9.3  
and enamelled up to 70~80µm thickness

## Specification

Light sources : Fluorescent lamp  
8/10/15/18W  
Lamp base : G5(8W),G13(10W~)  
Cable entry : Two(2) Cable Gland, PG16  
Mounting : 4 mounting holes, dia. 7mm  
Voltage and frequency : Ballasts for AC220V 60Hz  
are standard others on request

## Optional

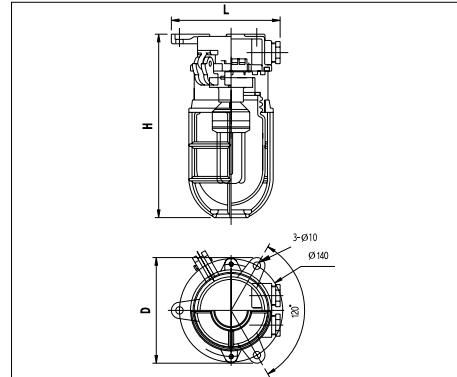
with ISO.TR & Universal socket



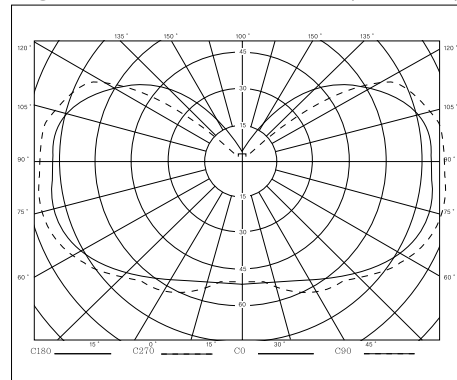
# FLUORESCENT LIGHTS / FPH-P



## Technical Drawing



## Light Distribution Curve (cd/1,000lm)



## Model no. and Dimensions

Model no.	Capacity	Volt	L	D	H	Weight (kg)	Remark
			(mm)				
FPH-15WG-P	15W	220	155	142	263	0.96	Guard
FPH-15WU-P	15W	220	155	142	263	0.96	Guard&screen
FPH-15WH-P	15W	220	155	142	263	0.96	Hanging hook

## Application

Engine room, workshops, stores  
Holds, passage ways, etc

## Design

According to rules of maritime classification societies, additional IEC

## Features

Watertight multipurpose lighting fixtures  
Surface  
The body structure is hinged on the cable connection and maintenance is very easy.  
Protection degree : IP56

## Materials

Housing : Polycarbonate  
Globe : Hard glass (clear)(S90)  
Guard : Polycarbonate

## Finish

Body : Blue green (Munsell No.7.5BG7/2)  
Guard : Clear

## Specification

Lamp base : E27  
Cable entry : Two(2) cable glands M24x1.5 (Max.diameter 17mm cable)  
Mounting : 3 mounting holes, dia.10mm  
Voltage and frequency : AC220V 60Hz are standard others on request

## Optional

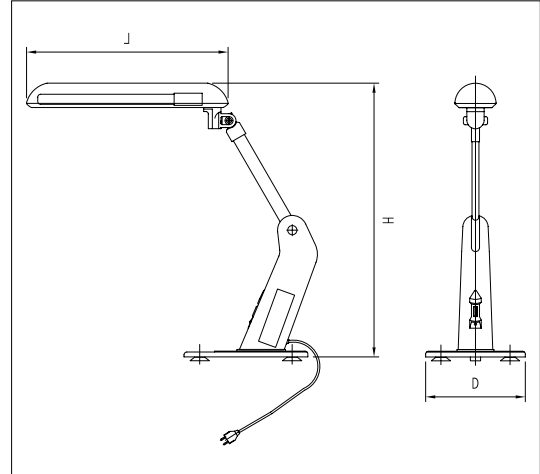
Guard : Cast brass  
Screen : Stainless steel  
Hanging hook  
Shock mount



# FLUORESCENT LIGHTS / FT18SN



## Technical Drawing



## Model no. and Dimensions

Model no.	Capacity	Volt	L	D	H	Weight	Remark
			(mm)			(kg)	
FT18SN	18W	220	350	173	510	1.26	

## Application

Accommodation areas

## Design

According to rules of maritime classification societies

## Features

- One-touch quick lighting method
- Tree wave length lamp
- Built-in inverter circuit
- Prevents dimness and is soft lighting for eyes
- Quickly lights on with a light touch
- The light is bright and clear using 3 wave length fluorescent light

## Materials

Housing : ABS(Acrylonitrile Butadiene Styrene)

## Finish

Body : Silver

## Specification

- Light sources : Fluorescent lamp
- 18W
- Lamp base : 2G11
- W/2M Cord and Plug DIN(2P+1E)
- Mounting : Four(4) Rubber Sucker
- Voltage and frequency : AC220~240V 50/60Hz
- are standard others on request

